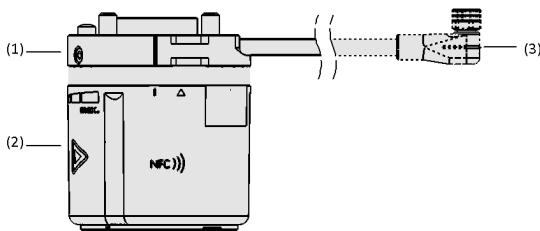


## Handling Sets ECBPMi

Suction rate up to 1.6 l/min



Handling Sets ECBPMi



System design Handling Sets ECBPMi



Handling set ECBPMi during handling of jars of cream

### Suitability for industry specific applications

#### Application

- Ready-to-connect handling set for lightweight robots and cobots based on an electrical vacuum generator in miniature construction
- Contains the vacuum generator, flange, suction cup and connection cable
- Handling of airtight workpieces weighing up to 3 kg
- Ideal for automated handling of small parts, such as bin picking with a single suction cup
- Integration in automated machines in tight spaces

#### Design

- Modular adapter flange (1) including cable strain relief
- Disruption-free design adapted to the size of the robot flange
- Intuitive operation via user interface with capacitive buttons (2) and state indicator around the entire circumference
- Electrical connection cable (3)
- Includes flat and bellows suction cup

#### Product highlights

- Ready-to-connect handling set for easy assembly and commissioning (plug & work)
- Various areas of application thanks to exchangeable suction cups
- Ideal for handling small workpieces with a single suction cup
- Higher payload of the robot due to low weight
- No compressed air hoses necessary thanks to electrical operation

# Handling Sets ECBPMi

Suction rate up to 1.6 l/min

## Designation code Handling Sets ECBPMi

<b>ROB-SET ECBPMi</b>	–	<b>DOOSAN</b>
<b>1</b>		<b>2</b>

### 1 – Abbreviated designation

Code	Version
ROB-SET ECBPMi	Handling set ECBPMi
ROB-SET PLUS ECBPMi	Handling set ECBPMi with RS485 for UR

### 2 – Compatibility

Code	Version
ABB	ABB Robotics
DOOSAN	Doosan Robotics
FANUC	Fanuc
FRUITCORE	Fruitcore Robotics
HANWHA	Hanwha
KASSOW	Kassow
IGUS	IGUS
JAKA	JAKA Robotics
MIT	Mitsubishi
OMRON	Omron
SE	Schneider Electronics
TECHMAN	Techman
UR	Universal Robots
YUANDA	Yuanda Robotics

The robot set ECBPM is delivered unassembled. The delivery consists of:

- Electrical vacuum generator ECBPM
- Flange plate FLAN-PL
- Suction cup SFF / SPB1

Available accessories: electrical vacuum generator ECBPM, flange plate FLAN-PL, suction cup SFF / SPB1

## Ordering data Handling Sets ECBPMi

Type	Part no.
ROB-SET ECBPMi ABB	10.03.01.00865
ROB-SET ECBPMi DOBOT	10.03.01.00886
ROB-SET ECBPMi DOOSAN	10.03.01.00580
ROB-SET ECBPMi FANUC	10.03.01.00621
ROB-SET ECBPMi FRUITCORE	10.03.01.00677
ROB-SET ECBPMi HANWHA	10.03.01.00585
ROB-SET ECBPMi IGUS	10.03.01.00822
ROB-SET ECBPMi JAKA	10.03.01.00845
ROB-SET ECBPMi KASSOW	10.03.01.00796
ROB-SET ECBPMi MIT	10.03.01.00546
ROB-SET ECBPMi MIT	10.03.01.00579
ROB-SET ECBPMi OMRON	10.03.01.00605
ROB-SET ECBPMi SE	10.03.01.00852
ROB-SET ECBPMi TECHMAN	10.03.01.00566
ROB-SET ECBPMi UR	10.03.01.00512
ROB-SET ECBPMi UR	10.03.01.00593
ROB-SET PLUS ECBPMi UR	10.03.01.00617
ROB-SET PLUS ECBPMi UR	10.03.01.00618

## Handling Sets ECBPMi

Suction rate up to 1.6 l/min

### Ordering data Spare parts Handling Sets ECBPMi

Spare parts		Part no.
ECBPMi 24V-DC FK	CobotPump	10.03.01.00500
ECBPMi-RS-485 24V-DC FK	CobotPump RS-485	10.03.01.00584
SPB1 30 ED-65 G1/4-AG	Bellows suction cup	10.01.06.04530
SFF 15 EPDM-45 G1/8-AG	Flat suction cup	10.01.01.14262
ERS ECBPM	Set of spare parts	10.03.01.00573

### Ordering data Accessories Handling Sets ECBPMi

Accessories		Part no.
Lightweight Gripper	SLG 102x57 FSGA 2	10.01.10.14043
Lightweight Gripper	SLG 102x102 FSGA 3	10.01.10.14042
Lightweight Gripper	SLG 102x75.3 FSGA 4	10.01.10.14041
Flange extension VEE-FE	VEE-FE 25.4x81.5	10.01.36.00130
Flange extension VEE-FE	VEE-FE 25.4x131.5	10.01.36.00109
Flange extension VEE-FE	VEE-FE 25.4x181.5	10.01.36.00128

## Handling Sets ECBPMi

Suction rate up to 1.6 l/min

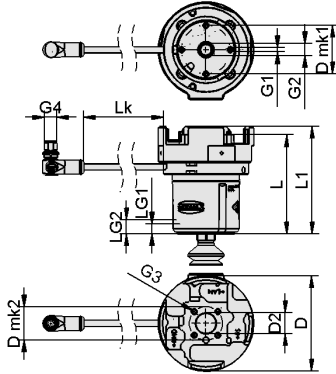
### Technical data Handling Sets ECBPMi

Type	Compatibility	Suction rate (max.) [l/min]	Degree of evacuation [%]	Voltage	Rated power [W]	Rated current [A]	Electrical connection
ROB-SET ECBPMi ABB	GoFa CRB 15000	1.6	60	24 V - DC	7.2	0.3	2xConnect M8, 3+4 pol
ROB-SET ECBPMi DOBOT	CRA-Series	1.6	60	24 V - DC	7.2	0.3	Elb fem conn M8, 8 pol
ROB-SET ECBPMi DOOSAN	-	1.6	60	24 V - DC	7.2	0.3	Elbow con M8, 8 pole
ROB-SET ECBPMi FANUC	CRX	1.6	60	24 V - DC	7.2	0.3	Elb fem conn M8, 8 pol
ROB-SET ECBPMi FRUITCORE	HORST	1.6	60	24 V - DC	7.2	0.3	Male connect M8, 4 pole
ROB-SET ECBPMi HANWHA	HCR-3	1.6	60	24 V - DC	7.2	0.3	Elb fem conn M8, 8 pol
ROB-SET ECBPMi IGUS	ReBeL 4DOF/6DOF	1.6	60	24 V - DC	7.2	0.3	Elbow con M8, 8 pole
ROB-SET ECBPMi JAKA	-	1.6	60	24 V - DC	7.2	0.3	Elbow con M8, 8 pole
ROB-SET ECBPMi KASSOW	-	1.6	60	24 V - DC	7.2	0.3	Elb fem conn M8, 8 pol
ROB-SET ECBPMi MIT	RV-5AS	1.6	60	24 V - DC	7.2	0.3	Elbow con M12, 8 pole
ROB-SET ECBPMi MIT	RV-5AS-FS	1.6	60	24 V - DC	7.2	0.3	Elbow con M12, 8 pole
ROB-SET ECBPMi OMRON	-	1.6	60	24 V - DC	7.2	0.3	Elbow con M8, 8 pole
ROB-SET ECBPMi SE	-	1.6	60	24 V - DC	7.2	0.3	Elbow con M8, 8 pole
ROB-SET ECBPMi TECHMAN	TM5-700/900	1.6	60	24 V - DC	7.2	0.3	Elbow con M8, 8 pole
ROB-SET ECBPMi UR	UR3/5	1.6	60	24 V - DC	7.2	0.3	Elb fem conn M8, 8 pol
ROB-SET ECBPMi UR	UR3-16	1.6	60	24 V - DC	7.2	0.3	Elb fem conn M8, 8 pol
ROB-SET PLUS ECBPMi UR	UR3/5	1.6	60	24 V - DC	7.2	0.3	Elb fem conn M8, 8 pol
ROB-SET PLUS ECBPMi UR	UR3-16	1.6	60	24 V - DC	7.2	0.3	Elb fem conn M8, 8 pol

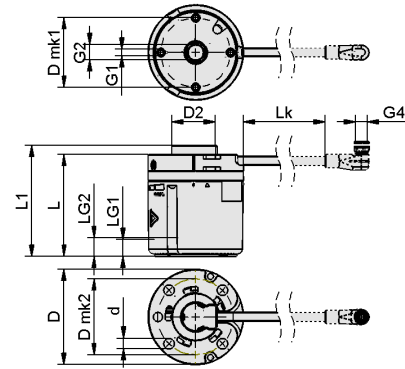
# Handling Sets ECBPMi

Suction rate up to 1.6 l/min

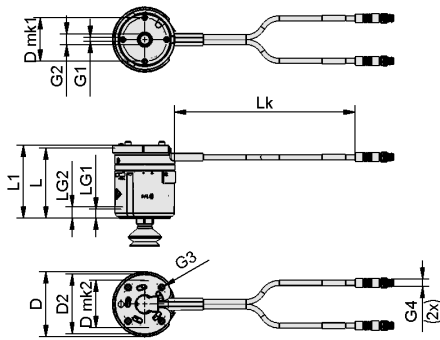
Design data Handling Sets ECBPMi



ECBPMi ASSISTA



ECBPMi DOOSA, FANUC, HANWHA, KASSOW, OMRON, TECHMAN, UR



ECBPMi FRUITCORE

# Handling Sets ECBPMi

Suction rate up to 1.6 l/min

## Design data Handling Sets ECBPMi

Type	D [mm]	d [mm]	D2 [mm]	D mk1 [mm]	D mk2 [mm]	G1	G2	G4	L [mm]	L1 [mm]	LG1 [mm]	LG2 [mm]	Lk [mm]
ROB-SET ECBPMi ABB	63	-	31.5	46	50.0	M4-F	G1/4"-F	M8-M	67.41	73.41	6	11.5	310.0
ROB-SET ECBPMi DOBOT	63	-	31.5	46	50.0	M4-F	G1/4"-F	M8-F	67.41	73.41	6	11.5	130.5
ROB-SET ECBPMi DOOSAN	63	-	31.5	46	50.0	M4-F	G1/4"-F	M8-M	67.41	73.41	6	11.5	146.0
ROB-SET ECBPMi FANUC	63	-	31.5	46	50.0	M4-F	G1/4"-F	M8-F	67.41	73.41	6	11.5	105.5
ROB-SET ECBPMi FRUITCORE	68	-	62.7	46	50.0	M4-F	G1/4"-F	M8-M	73.41	76.41	6	11.5	230.0
ROB-SET ECBPMi HANWHA	63	-	31.5	46	50.0	M4-F	G1/4"-F	M8-F	67.41	73.41	6	11.5	120.5
ROB-SET ECBPMi IGUS	63	-	31.5	46	43.0	M4-F	G1/4"-F	M8-M	67.41	73.41	6	11.5	425.5
ROB-SET ECBPMi JAKA	63	-	31.5	46	50.0	M4-F	G1/4"-F	M8-M	67.41	73.41	6	11.5	185.0
ROB-SET ECBPMi KASSOW	63	-	31.5	46	50.0	M4-F	G1/4"-F	M8-F	67.41	73.41	6	11.5	130.5
ROB-SET ECBPMi MIT	90	-	20.0	46	31.5	M4-F	G1/4"-F	M12-M	88.40	96.40	6	11.5	103.0
ROB-SET ECBPMi MIT	90	-	20.0	46	31.5	M4-F	G1/4"-F	M12-M	131.90	139.90	6	11.5	103.0
ROB-SET ECBPMi OMRON	63	-	31.5	46	50.0	M4-F	G1/4"-F	M8-M	67.41	73.41	6	11.5	150.5
ROB-SET ECBPMi SE	63	-	31.5	46	50.0	M4-F	G1/4"-F	M8-M	67.41	73.41	6	11.5	185.0
ROB-SET ECBPMi TECHMAN	63	-	31.5	46	50.0	M4-F	G1/4"-F	M8-M	67.41	73.41	6	11.5	150.5
ROB-SET ECBPMi UR	63	-	31.5	46	50.0	M4-F	G1/4"-F	M8-F	67.41	73.41	6	11.5	120.5
ROB-SET ECBPMi UR	63	-	31.5	46	50.0	M4-F	G1/4"-F	M8-F	67.41	73.41	6	11.5	130.5
ROB-SET PLUS ECBPMi UR	63	-	31.5	46	50.0	M4-F	G1/4"-F	M8-F	67.41	73.41	6	11.5	120.5
ROB-SET PLUS ECBPMi UR	63	-	31.5	46	50.0	M4-F	G1/4"-F	M8-F	67.41	73.41	6	11.5	130.5