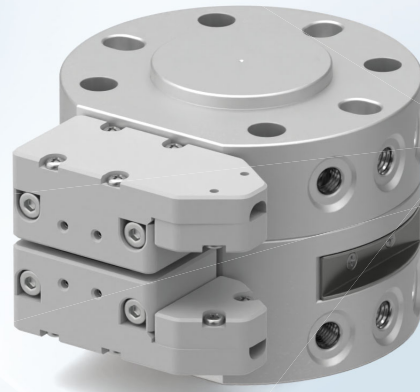


Tool Changer/ Auto Type

Work load: 5 kg, 10 kg, 20 kg



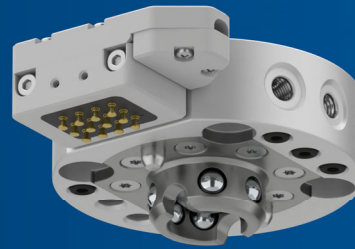
New

RoHS

Robot hand tool automatic exchange

- Standards:
ISO9409-1 compliant
Support for direct mounting on
collaborative robots

Main plate



Tool plate



Robot and end tool connection/
release

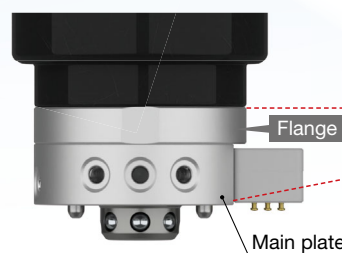


RMTA Series

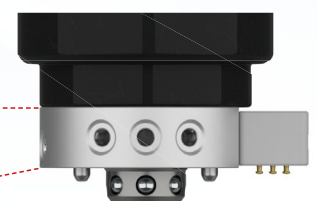
More compact as flanges are not
required.

Direct mounting on collaborative robots eliminates the
need for flanges and reduces design labour

General usage methods



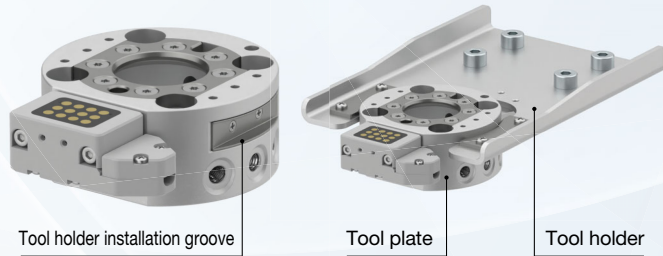
RMTA Series



CAT.EUS160-13A-UK

Integrating the mounting groove of the tool holder

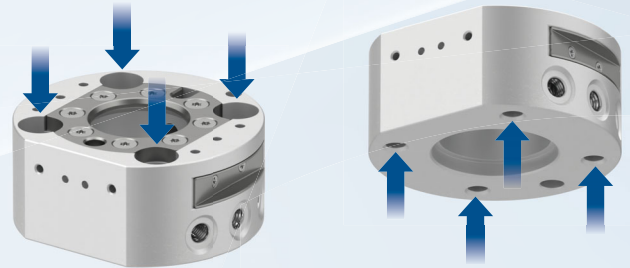
Reducing the design labour required to install the tool plate



Select the method used to install the tool plate.

Through hole mounting

Female thread mounting



High precision and high rigidity

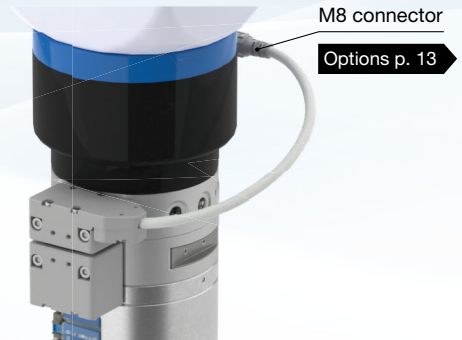
- Repeatability:
±0.01 mm (Position reproducibility)
- Allowable bending moment:
17.4 N·m (10 kg carrying capacity)

Supports a work load of up to 20 kg

- Work load: 5 kg, 10 kg, 20 kg

Direct mounting to the tool I/O is possible with an M8 connector.

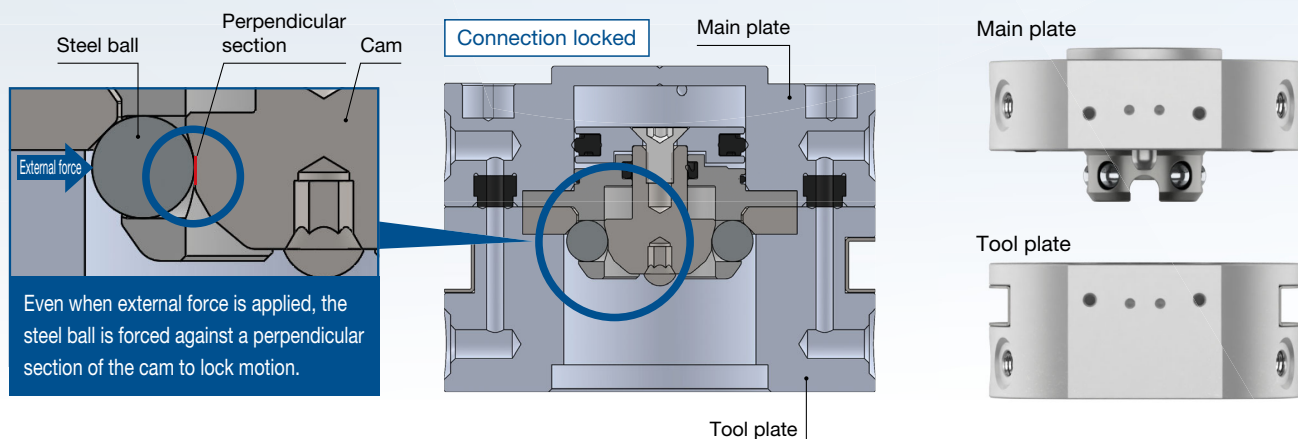
* 10 kg type only



Drop prevention

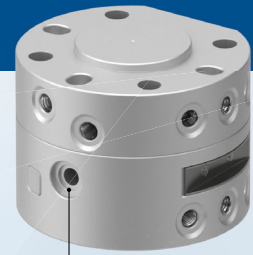
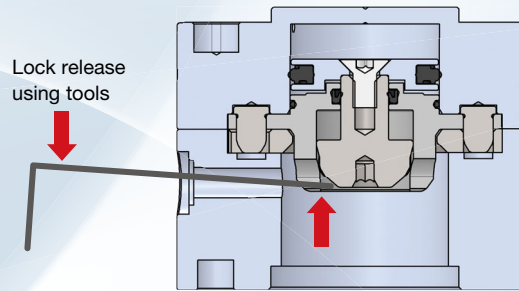
Drop prevention mechanism locks the actuator so parts remain locked in place even if air pressure drops.

Uses a safety construction where the connection is not released even when an external force is applied



Manual pilot port

The plate can be released in the event of an air pressure drop by inserting a tool into the manual operation port.

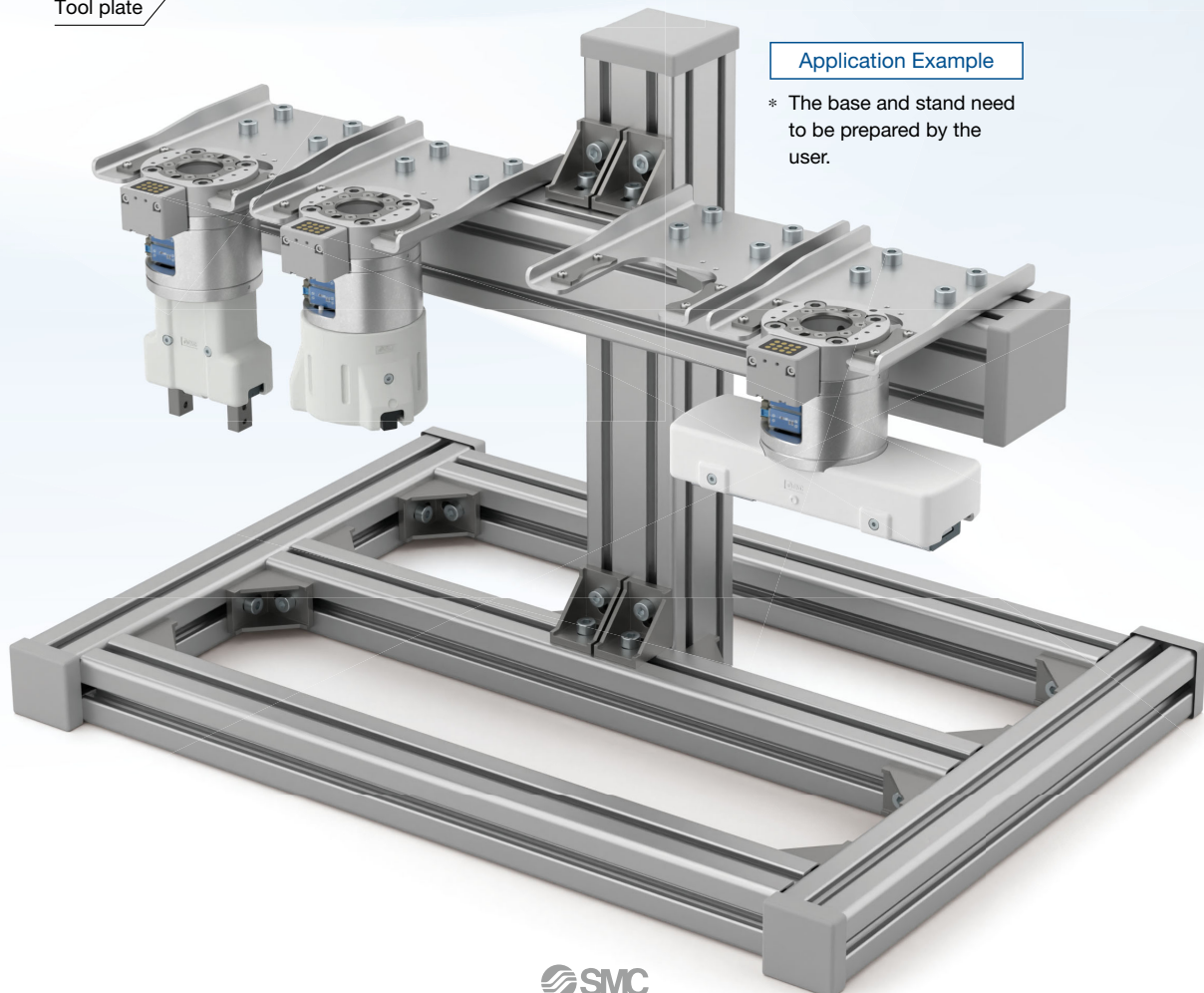
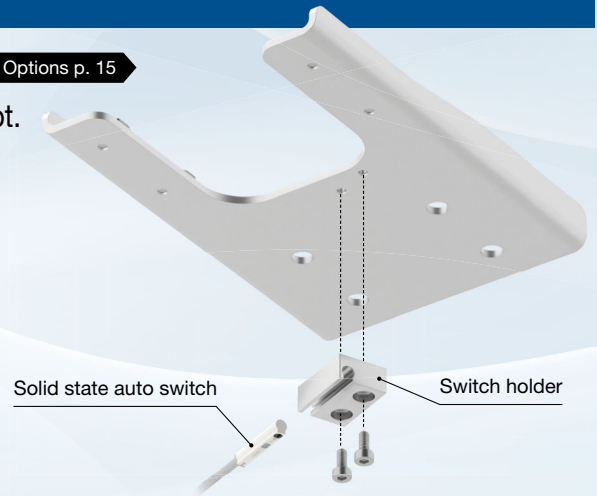
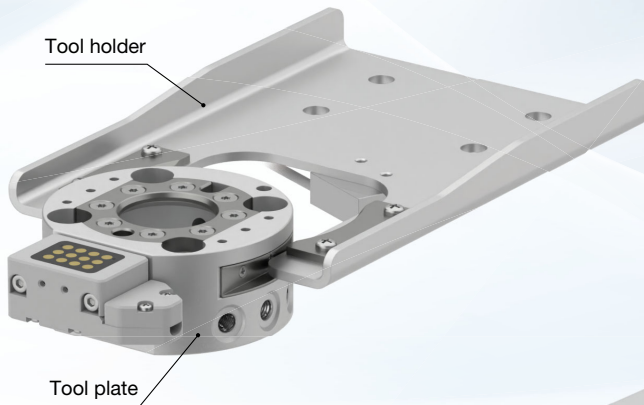


Manual pilot port

* For the manual pilot port diameter, refer to the dimensions on pages 10 to 12.

Tool holder

- A holder for installing a tool plate is available as standard. [Options p. 15](#)
- The auto switch can detect whether there is a tool plate or not.

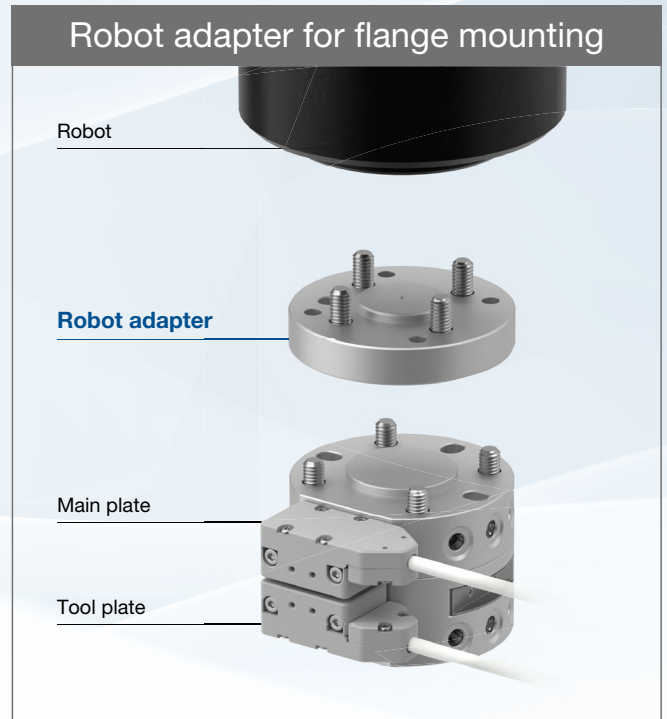
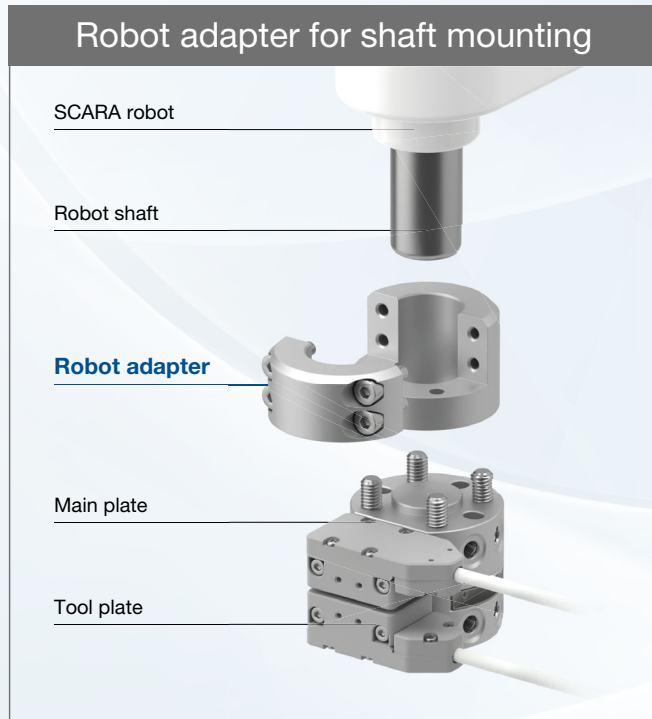


Application Example

* The base and stand need to be prepared by the user.

The robot adapter enables mounting to a wide range of robots.

Can also be used with the tool changer on shaft-mounted SCARA robots or robots with different flange mounting dimensions.



Robot Adapter Selection Table

Workpiece mass of 5 kg or less					Workpiece mass of 10 kg or less			Workpiece mass of 20 kg or less		
Mounting side pitch (ISO9409-1)		Shaft mounting			Mounting side pitch (ISO9409-1)			Mounting side pitch (ISO9409-1)		
Ø 31.5	Ø 50	Shaft dia. Ø 16	Shaft dia. Ø 20	Shaft dia. Ø 25	Ø 31.5	Ø 40	Ø 50	Ø 50	Ø 63	Ø 80

Robot adapters available

Robot adapters available

Robot adapters available



Robot adapters available for use
 · Shaft mounting type
 · Flange mounting type



Robot adapters available for use
 · Flange mounting type



Robot adapters available for use
 · Flange mounting type

Related Products

Air Gripper for Collaborative Robots **RMH□ Series**

Gripper with tool changer all-in-one solution

More information
can be viewed here.

Standard Type



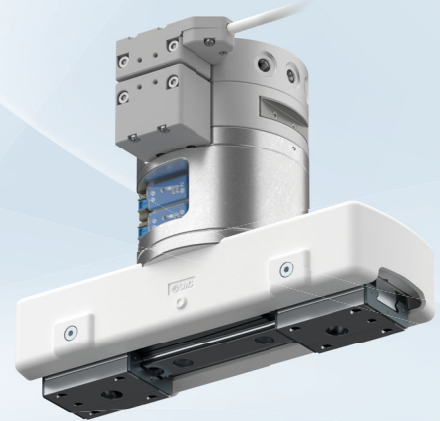
RMHZ2 Series

3-Finger Type



RMHS3 Series

Long Stroke Type

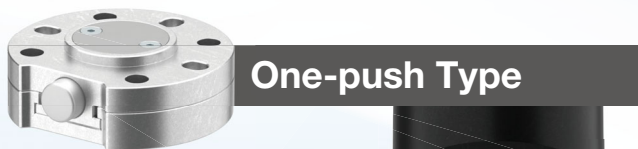


RMHF2 Series

Tool Changer Variations

We also offer the manual type tool changers.

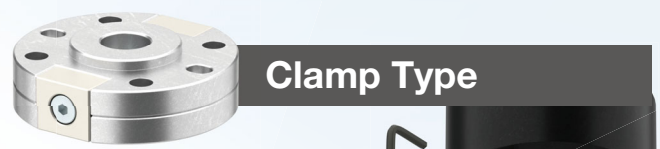
More information
can be viewed here.



One-push Type

Tools can be attached/
removed by the push of a
button (no tools required).

- Standards:
ISO9409-1-50-4-M6 compliant
- Repeatability:
±0.01 (Position reproducibility)



Clamp Type

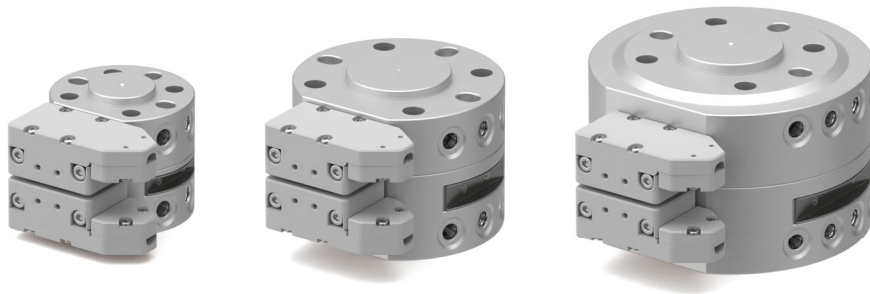
Tools can be attached/
removed by clamping
bolts (2 pcs).

- Standards:
ISO9409-1-50-4-M6 compliant
- Repeatability:
±0.02 (Position reproducibility)



CONTENTS

Tool Changer/Auto Type *RMTA Series*



How to Order	p. 7
Specifications	p. 9
Dimensions	p. 10
Options	p. 13
Connector	p. 13
Tool Holder	p. 15
Robot Adapter	p. 17
Specific Product Precautions	p. 19
Safety Instructions	Back cover

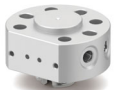
Tool Changer/Auto Type RMTA Series

Work load: 5 kg, 10 kg, 20 kg

RoHS

How to Order

Main plate



RMTA1-05M1



RMTA1-10M1



RMTA1-20M1

RMTA1-10M1-C2M

Work load

05	5 kg
10	10 kg
20	20 kg

Body specifications


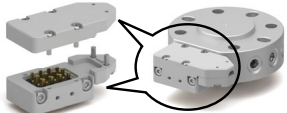
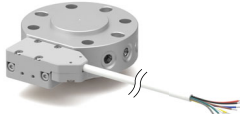
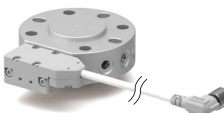
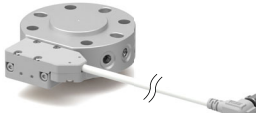
1	Basic
---	-------

Length of C2 discrete wire specification cable





-	1 m
M	3 m
L	5 m

Electrode specifications

Details p. 13

Symbol	Contents	Work load		
		5 kg	10 kg	20 kg
-	Without connector 	●	●	●
C1	Connector Soldering specifications 12 pin 	●	●	●
C2	Connector Discrete wire specifications Cable length 1 m, 3 m, 5 m 	●	●	●
C3	Connector M8-8 pin connector socket Cable length 0.14 m 	-	●	-
C4	Connector M8-8 pin connector plug Cable length 0.11 m 	-	●	-

The M8-8 pin connector can be directly mounted to the following collaborative robots.

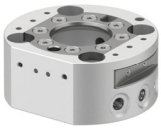
Electrode specifications	Universal Robots	FANUC	YASKAWA Electric Corporation
	UR□e series	CRX series	MOTOMAN-HC□DTP series
C3 M8-8 pin socket			
Electrode specifications	Omron/Techman		
C4 M8-8 pin plug	TM, TM□S series 		

How to Order

Tool plate



RMTA1-05T□



RMTA1-10T□



RMTA1-20T□

Tool holder



Options p. 15

RMTA1 - 10 T 1 - C2 M

Work load

05	5 kg
10	10 kg
20	20 kg

Length of C2 discrete wire specification cable

—	1 m
M	3 m
L	5 m

Body specifications

1	Through hole mounting
2	Female thread mounting

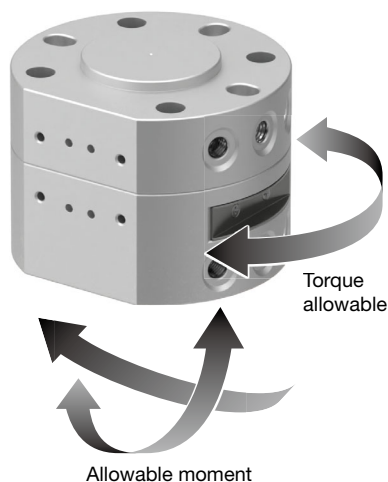
Electrode specifications

Details p. 13

Symbol	Contents	Work load		
		5 kg	10 kg	20 kg
—	Without connector 	●	●	●
C1	Connector Soldering specifications 12 pin 	●	●	●
C2	Connector Discrete wire specifications Cable length 1 m, 3 m, 5 m 	●	●	●

RMTA Series

Specifications



Series		RMTA05	RMTA10	RMTA20	
Work load		5 kg	10 kg	20 kg	
Fluid		Compressed air			
Action		Double acting			
Operating pressure range		0.3 to 0.7 MPa	0.2 to 0.7 MPa		
Withstand pressure		1.05 MPa			
Ambient and fluid temperatures		0 to 60 °C			
Recommended clearance before coupling*1		0.8 mm or less	1.0 mm or less	1.2 mm or less	
Repeatability		±0.01 mm			
Combined axial force*2, *3		375 N	900 N	1500 N	
Allowable moment*3		4 N·m	18 N·m	41 N·m	
Torque allowable		13 N·m	39 N·m	77 N·m	
Weight	Main plate	71 g	176 g	445 g	
	Tool plate	T1	55 g	174 g	350 g
		T2	59 g	183 g	355 g
Air port for tool	Number of ports	4	6	8	
	Port size	M5 x 0.8			
	Operating pressure range	-100 kPa to 0.7 MPa			
Electric contact	Electrode capacity	2 A/1 interface			
	Number of contact points	12			

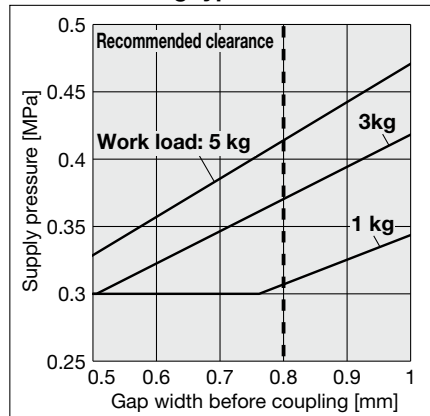
*1 Refer to page 19 for clearance before coupling. Check the detailed relationships among supply pressure, clearance before coupling, and work load by referring to the connection pressure graph below.

*2 This is the force applied in the direction of separation of the main plate and tool plate at which those plates in the connected state start to separate from each other.

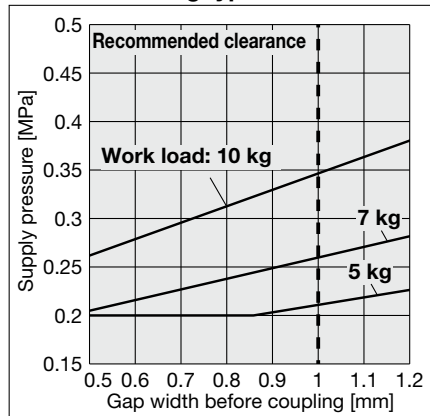
*3 The values shown are those when connected at 0.5 MPa, and will vary depending on the supply pressure.

Connection pressure

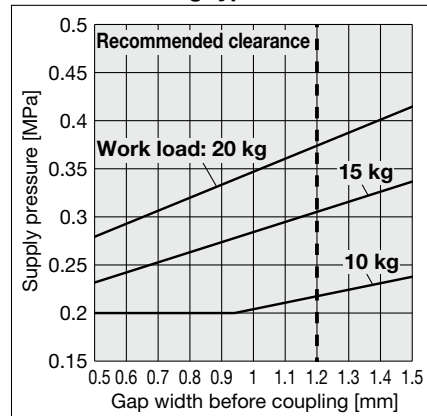
Work load: 5 kg type



Work load: 10 kg type

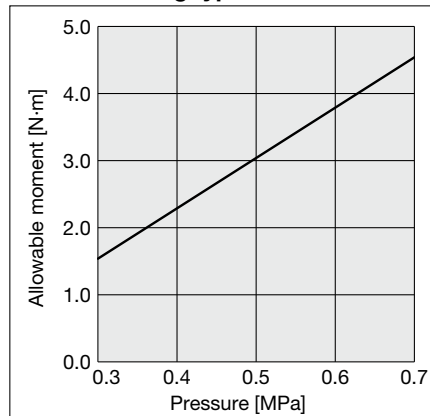


Work load: 20 kg type

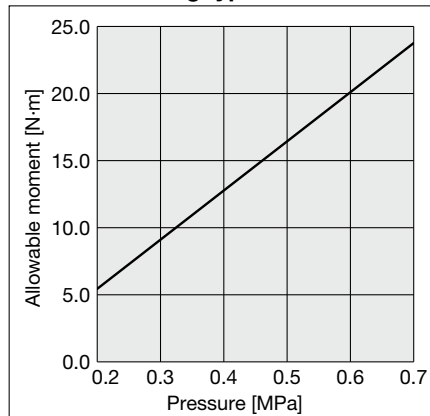


Allowable moment for supply pressure

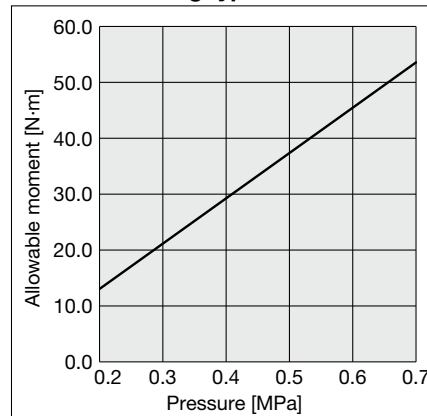
Work load: 5 kg type



Work load: 10 kg type



Work load: 20 kg type



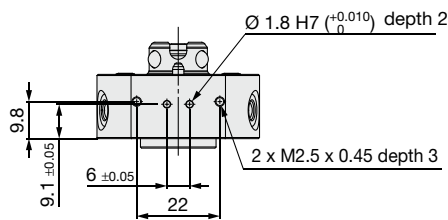
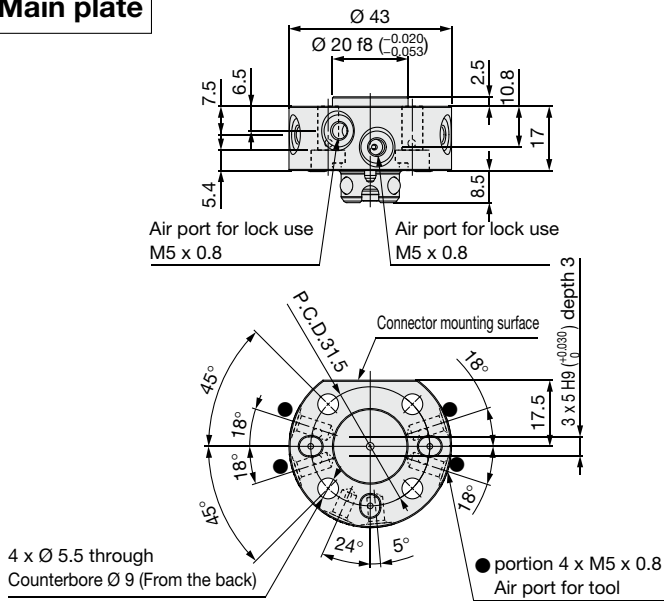
* The connection pressure is a reference value. Use only after confirming the actual work load and the pressure at the clearance before coupling to ensure a secure coupling.

* The allowable moment is a design value.

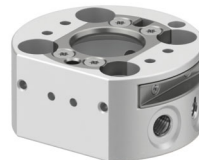
Dimensions

Work load 5 kg: RM-TA1-05

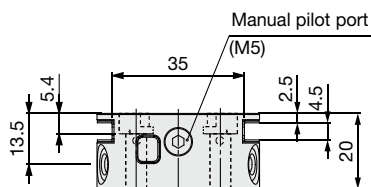
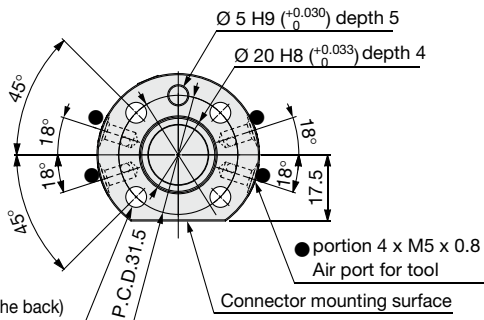
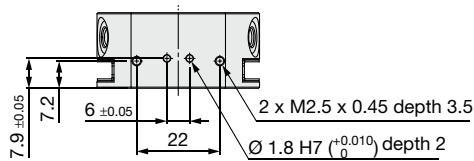
Main plate



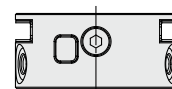
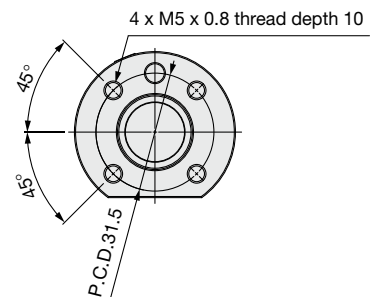
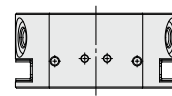
Tool plate



Through hole mounting



Female thread mounting

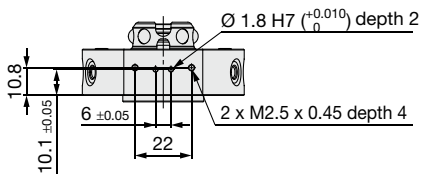
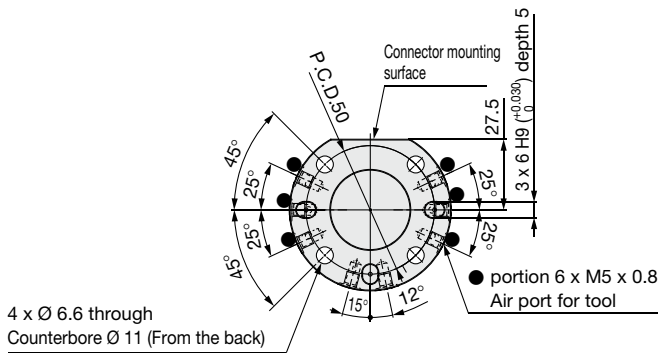
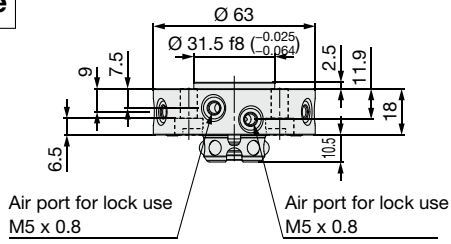


RMTA Series

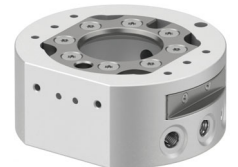
Dimensions

Work load 10 kg: RMTA1-10

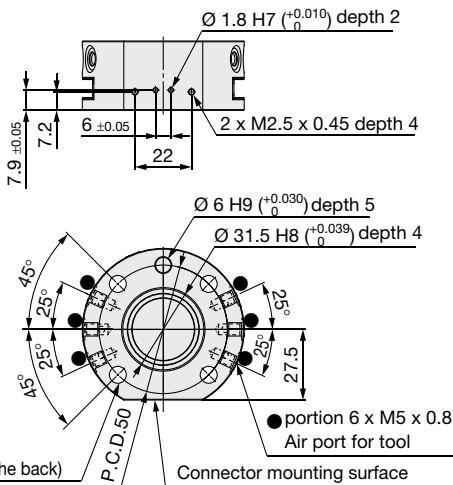
Main plate



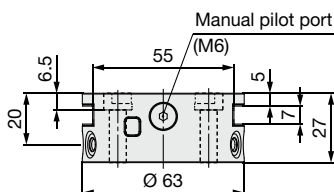
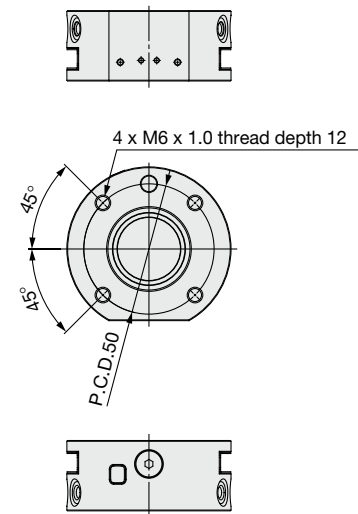
Tool plate



Through hole mounting



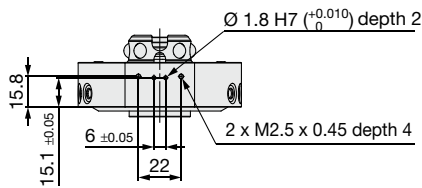
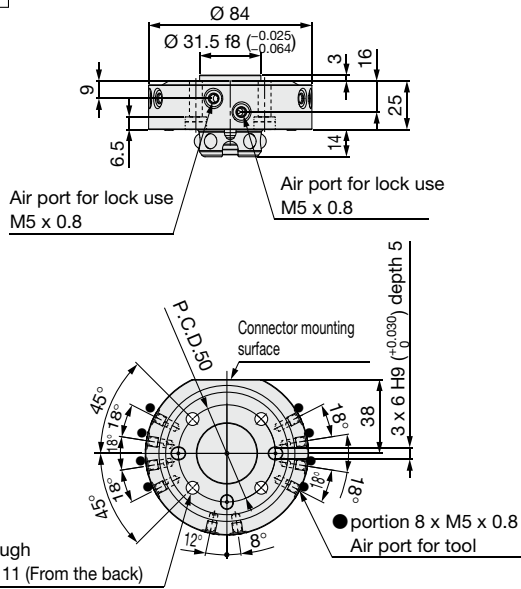
Female thread mounting



Dimensions

Work load 20 kg: RMTA1-20

Main plate

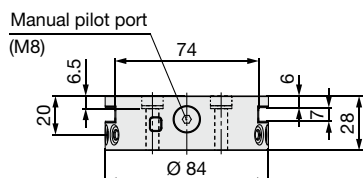
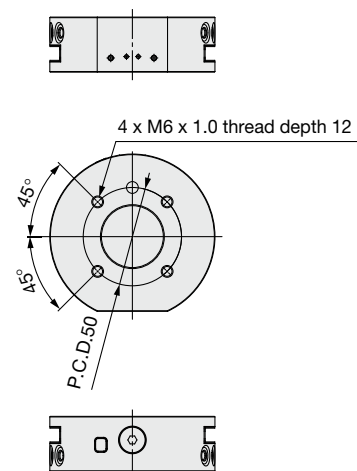
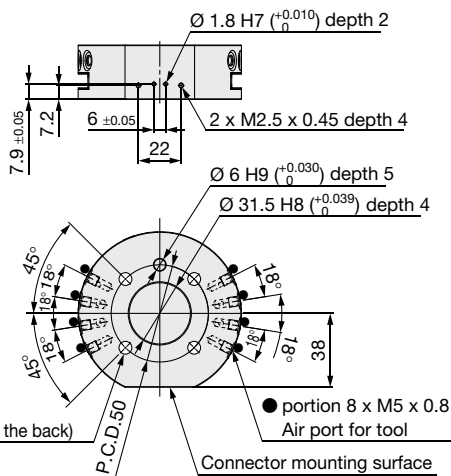


Tool plate

Through hole mounting



Female thread mounting



RMTA Series

Options: Connector

How to Order

RMTA1 - **M** **C2** **M**



RMTA1-MC□



RMTA1-TC□

Mounting body

M	Main plate
T	Tool plate

Length of C2 discrete wire specification cable

—	1 m
M	3 m
L	5 m

* Refer to page 14 for details.

Electrode specifications

Symbol	Contents
C1	Soldering specifications 12 pin
C2	Discrete wire specifications Lead wire length 1 m, 3 m, 5 m
C3	M8 connector specifications M8-8 pin socket Lead wire length 0.14 m
C4	M8 connector specifications M8-8 pin plug Lead wire length 0.11 m

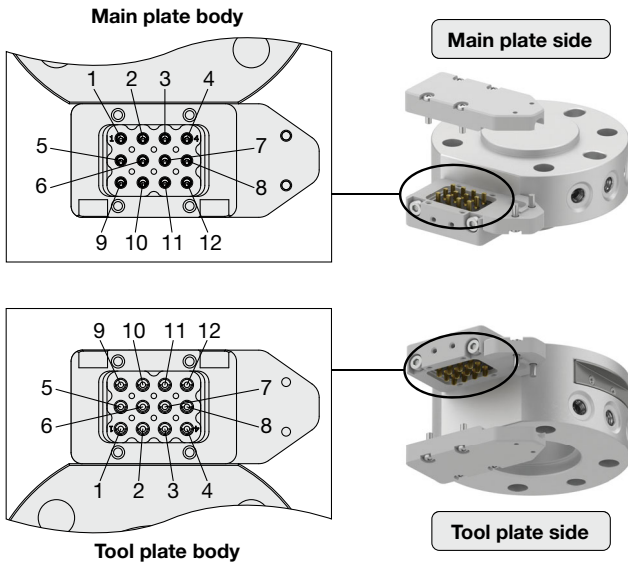
* C3 and C4 can be selected only for RMTA1-M□□□.

Specifications

Rated current	2 A/1 interface	
Number of electrodes	12 pcs.	
Weight	Main plate side	50 g
	Tool plate side	50 g

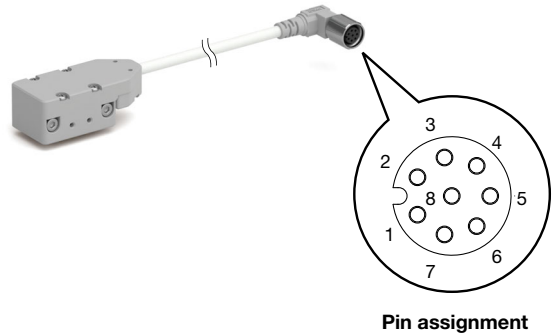
Wiring

Soldering specifications: Pin assignment



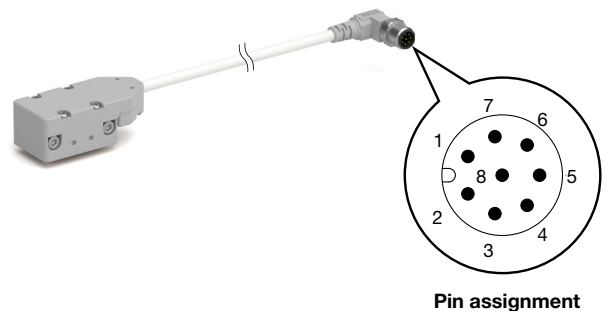
M8 connector specifications

M8-8 pin socket: Pin assignment



M8 connector specifications

M8-8 pin plug: Pin assignment



Discrete wire specifications: Circuit diagram

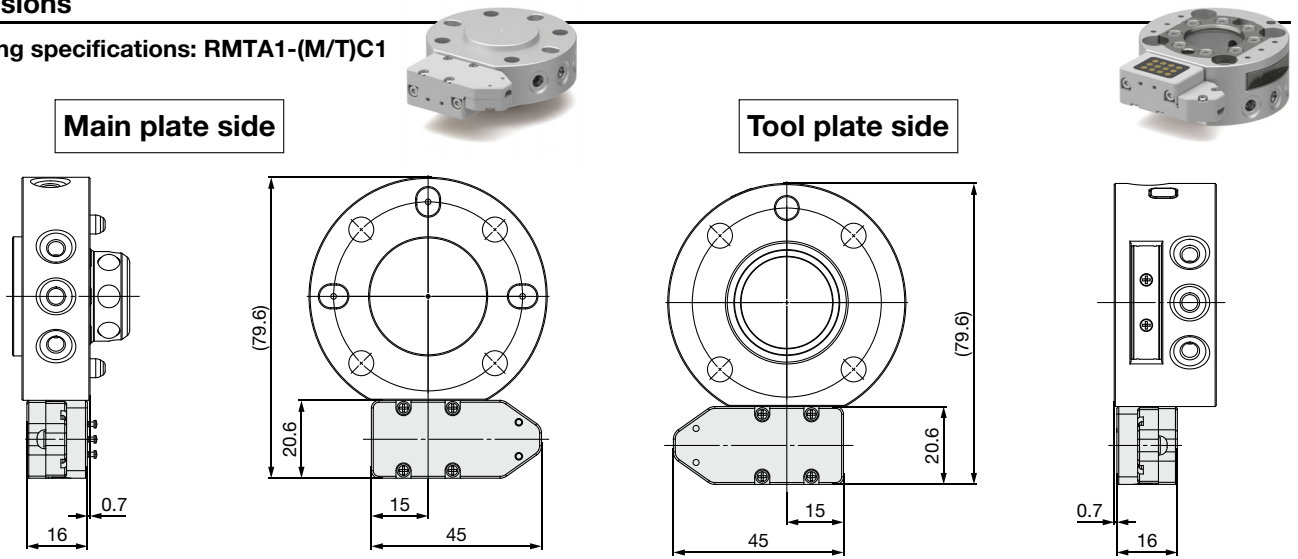
Pin no.	Lead wire colour
1	White
2	Brown
3	Green
4	Yellow
5	Grey
6	Black
7	Blue
8	Red



* Conductor AWG26

Dimensions

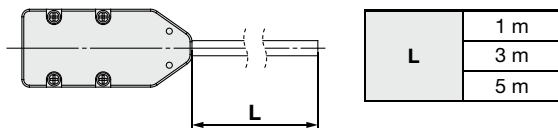
Soldering specifications: **RMTA1-(M/T)C1**



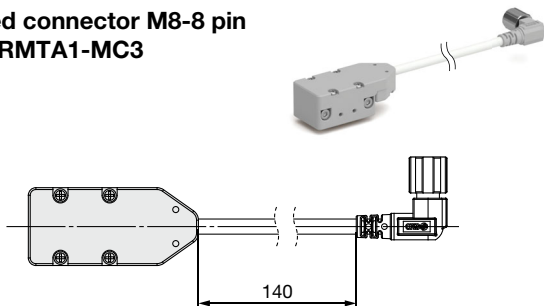
* The above figure shows the RMTA1-10M1-C1.

* The above figure shows the RMTA1-10T□-C1.

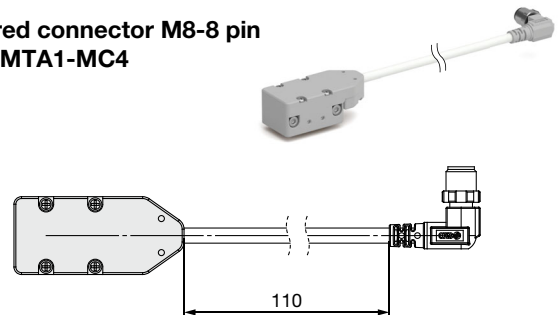
Discrete wire specifications: **RMTA1-(M/T)C2**



Pre-wired connector M8-8 pin
Socket: **RMTA1-MC3**



Pre-wired connector M8-8 pin
Plug: **RMTA1-MC4**



RMTA Series

Options: Tool Holder

How to Order



RMTA1 - 10 S1 A - M9N

● **Tool changer work load**

05	5 kg
10	10 kg
20	20 kg

● **Switch holder**

—	None
A	With switch holder

● **Auto switch type**

—	Without auto switch
M9□	Solid state auto switch

* For applicable auto switches, refer to the table below.

Type	Special function	Electrical entry	Indicator light	Wiring (Output)	Load voltage		Auto switch model		Lead wire length [m]				Pre-wired connector	Applicable load		
					DC	AC	Perpendicular	In-line	0.5 (-)	1 (M)	3 (L)	5 (Z)		IC circuit	Relay, PLC	
Solid state auto switch	—	Grommet	Yes	3-wire (NPN)	24 V	5 V, 12 V	—	M9NV	M9N	●	●	●	○	○	IC circuit	Relay, PLC
				3-wire (PNP)				M9PV	M9P	●	●	●	○	○		
				2-wire				M9BV	M9B	●	●	●	○	○		
	3-wire (NPN)			5 V, 12 V	M9NWV	M9NW	●	●	●	○	○	IC circuit				
	3-wire (PNP)				M9PWV	M9PW	●	●	●	○	○					
	2-wire				M9BWV	M9BW	●	●	●	○	○					

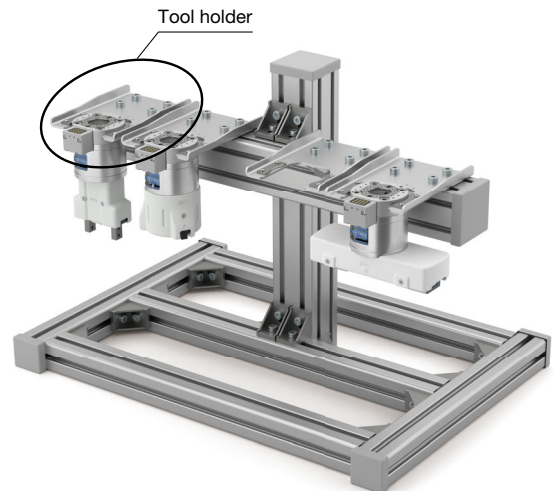
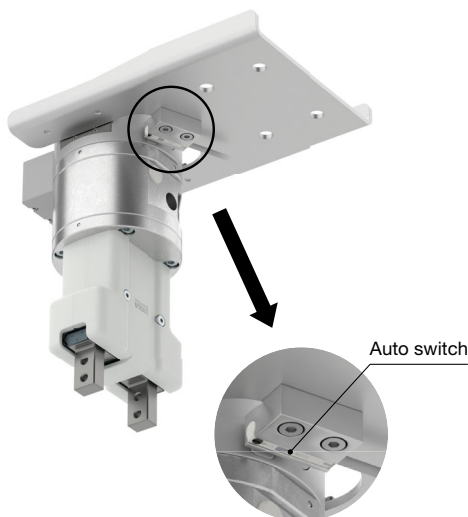
* Solid state auto switches marked with a "○" are produced upon receipt of order.

* Auto switches are shipped together with the product but do not come assembled.

* Lead wire length symbols: 0.5 m..... — (Example) M9NW
 1 m..... M (Example) M9NWM
 3 m..... L (Example) M9NWL
 5 m..... Z (Example) M9NWZ

Application Example

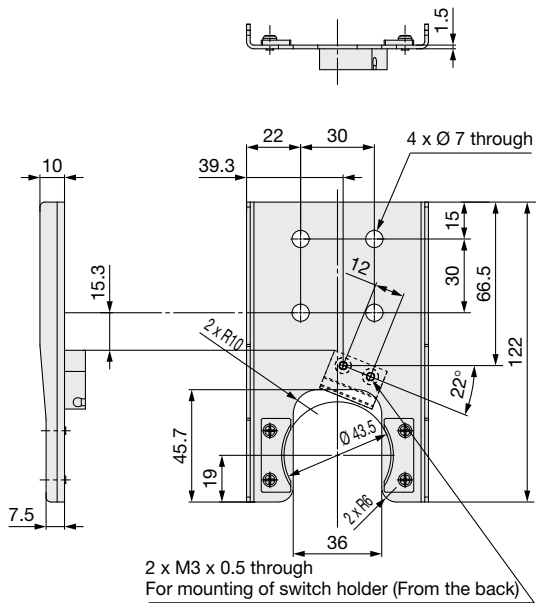
· Detect holder attachment with the auto switch



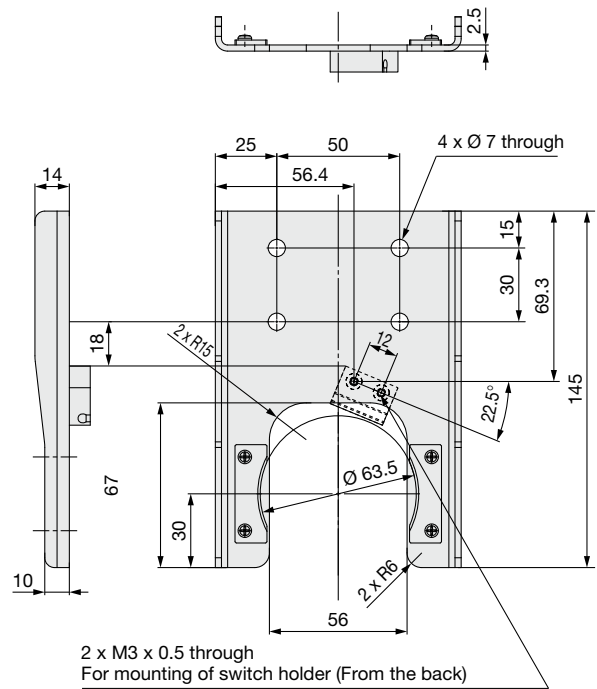
* The base and stand need to be prepared by the user.

Dimensions

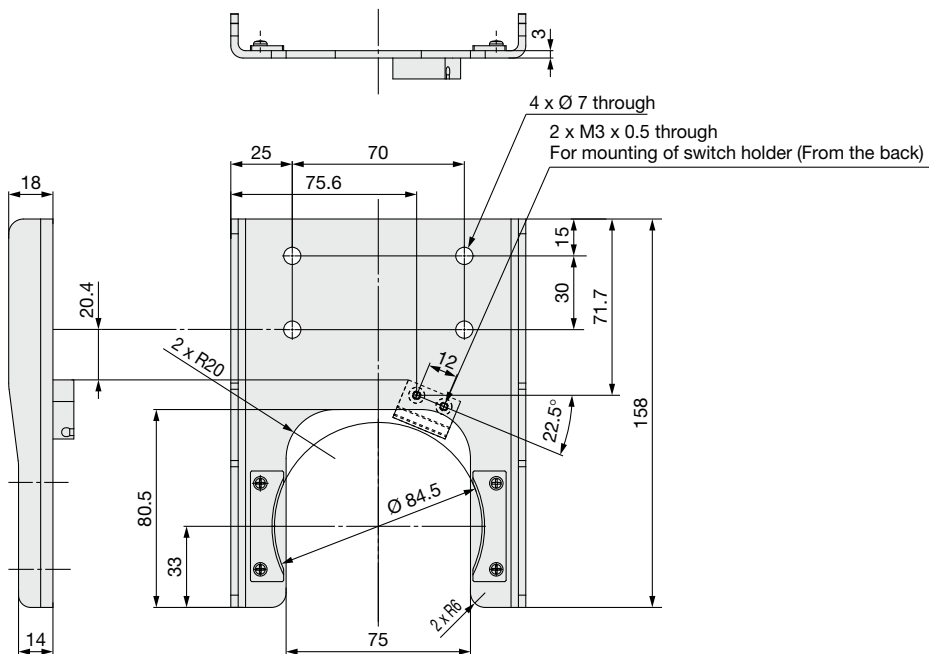
Holder for a tool changer work load of 5 kg



Holder for a tool changer work load of 10 kg



Holder for a tool changer work load of 20 kg



* For details on mounting the switch holder, refer to page 20.

RMTA Series

Options: Robot Adapter

Robot Adapter

Use the robot adapter to use the tool changer on shaft-mounted SCARA robots or robots with different mounting dimensions.

How to Order

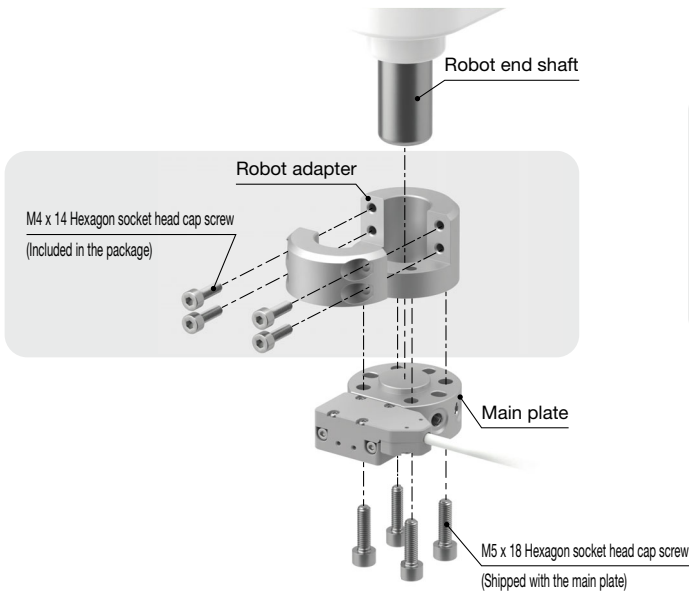
RMTA1-10C2



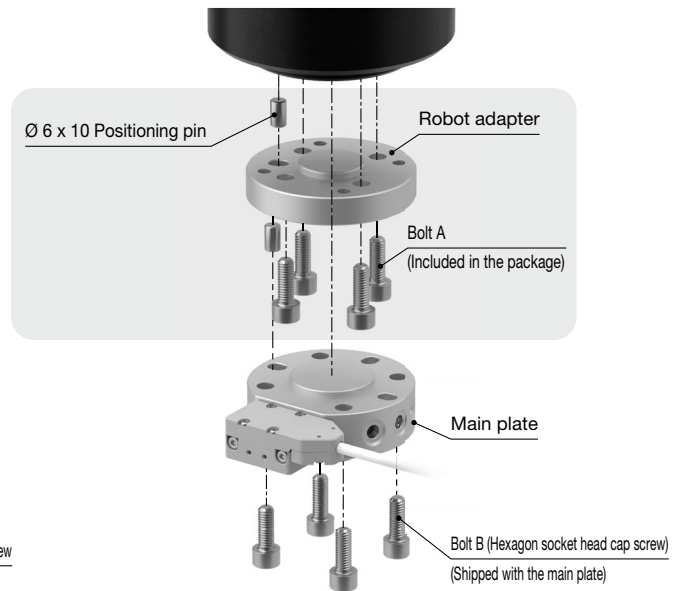
• Adapter

Symbol	Type	Mounting main plate	Interface after conversion	
05CR16	Shaft mounting	RMTA1-05M1	For Ø 16 shaft	
05CR20		RMTA1-05M1	For Ø 20 shaft	
05CR25		RMTA1-05M1	For Ø 25 shaft	
05C4	Flange mounting	RMTA1-05M1	P.C.D.50, For M6, 4 pcs., Pin 1pc.	
10C2		RMTA1-10M1	P.C.D.31.5, For M5, 4 pcs., Pin 1pc.	
10C3		RMTA1-10M1	P.C.D.40, For M6, 4 pcs., Pin 1pc.	
20C5		RMTA1-20M1	P.C.D.63, For M6, 4 pcs., Pin 1pc.	
20C6		RMTA1-20M1	P.C.D.80, For M8, 6 pcs., Pin 1pc.	

Shaft mounting



Flange mounting



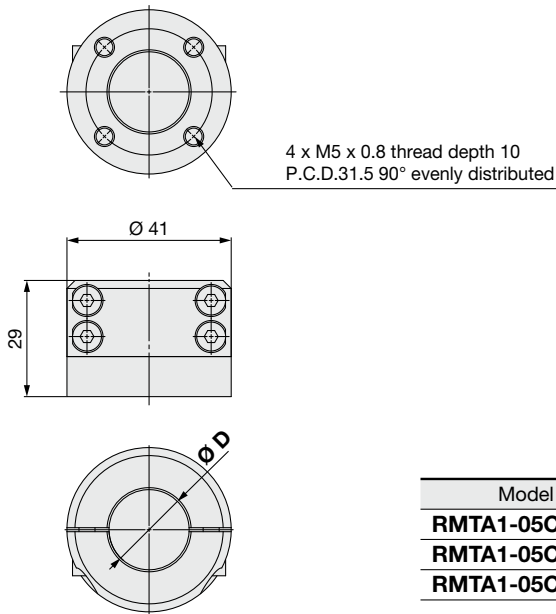
Flange Mounting Hexagon Socket Head Cap Screw Size Chart

Main plate	RMTA1-05M1		RMTA1-10M1		RMTA1-20M1	
Robot adapter	Bolt A	Bolt B	Bolt A	Bolt B	Bolt A	Bolt B
RMTA1-05C4	M6 x 12	M5 x 18	—	—	—	—
RMTA1-10C2	—	—	M5 x 8	M6 x 18	M5 x 8	M6 x 25
RMTA1-10C3	—	—	M6 x 12	M6 x 18	M6 x 12	M6 x 25
RMTA1-20C5	—	—	M6 x 12	M6 x 18	M6 x 12	M6 x 25
RMTA1-20C6	—	—	M8 x 14	M6 x 18	M8 x 14	M6 x 25

Dimensions

Robot adapter for shaft

RM_{TA}1-05CR16
RM_{TA}1-05CR20
RM_{TA}1-05CR25

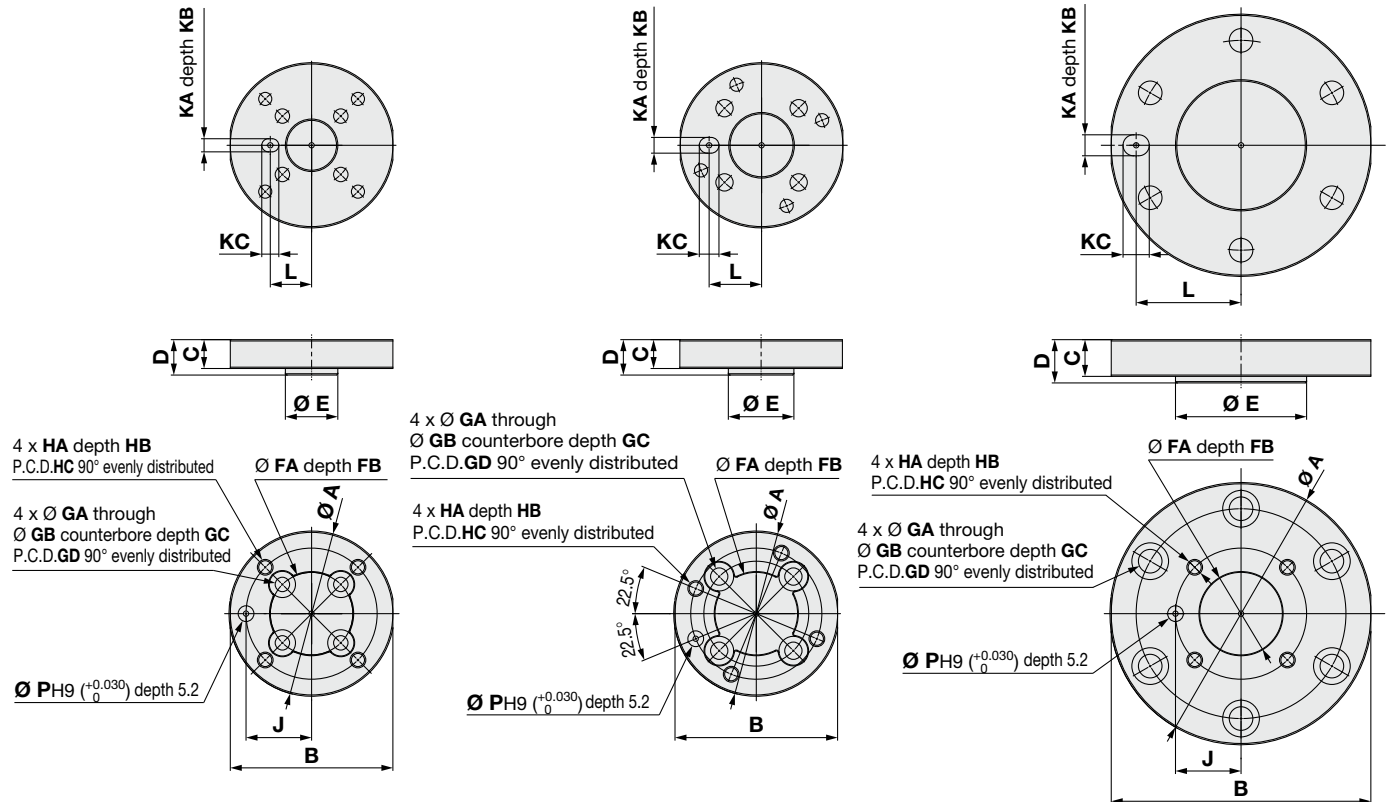


Robot adapter for flange

RM_{TA}1-05C4
RM_{TA}1-10C2

RM_{TA}1-10C3
RM_{TA}1-20C5

RM_{TA}1-20C6



Model	A	B	C	D	E	FA	FB	GA	GB	GC	GD	HA	HB	HC	J	KA	KB	KC	L	P
RM_{TA}1-05C4	63	62	11	13.5	Ø 31.5f8 (-0.025/-0.064)	Ø 20H8 (+0.033/0)	5	6.6	11	6.5	50	M5 x 0.8	7	31.5	15.75	Ø 6H9 (+0.030/0)	5.2	7.5	25	5
RM_{TA}1-10C2	63	62	11	13.5	Ø 20f8 (-0.020/-0.053)	Ø 31.5H8 (+0.039/0)	3	5.5	10	8.4	31.5	M6 x 1	8	50	25	Ø 5H9 (+0.030/0)	5.2	6.5	15.75	6
RM_{TA}1-10C3	63	62	11	13.5	Ø 25f8 (-0.020/-0.053)	Ø 31.5H8 (+0.039/0)	3	6.6	11	7.3	40	M6 x 1	8	50	—	Ø 6H9 (+0.030/0)	5.2	7.5	20	6
RM_{TA}1-20C5	84	83	11	13.5	Ø 40f8 (-0.025/-0.064)	Ø 31.5H8 (+0.039/0)	3	6.6	11	6.5	63	M6 x 1	8	50	—	Ø 6H9 (+0.030/0)	5.2	7.5	31.5	6
RM_{TA}1-20C6	100	99	14	16.5	Ø 50f8 (-0.025/-0.064)	Ø 31.5H8 (+0.039/0)	5	9	14	8	80	M6 x 1	8	50	25	Ø 8H9 (+0.036/0)	7.5	10	40	6



RMTA Series

Specific Product Precautions 1

Be sure to read this before handling the products. Refer to the back cover for safety instructions. For air gripper and auto switch precautions, refer to the “Handling Precautions for SMC Products” and the “Operation Manual” on the SMC website: <https://www.smc.eu>

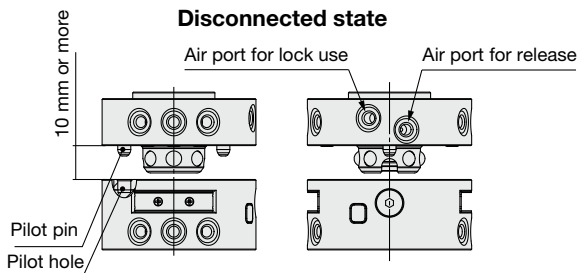
Connection/Disconnection Method

Connection method

1. Supply compressed air to the air port for release.
2. Align the main plate with the tool plate, and then insert the pilot pin into the pilot hole.
3. Adjust the t dimensions until they match the values in Table 1.
4. Supply compressed air to the air port for lock use while simultaneously releasing compressed air from the air port for release.

Disconnection method

1. Supply compressed air to the air port for release while simultaneously releasing compressed air from the air port for lock use.
2. Raise the main plate 10 mm or more.



Connected state

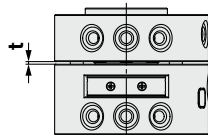


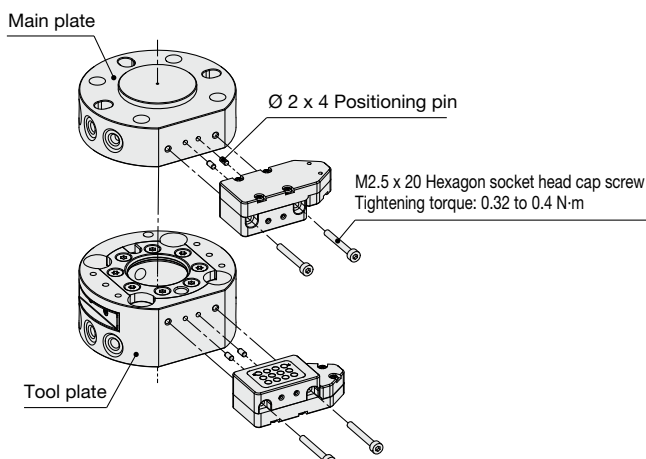
Table 1. Clearance amount at time of recommended connection*1

	t
5 kg	0.8 mm
10 kg	1 mm
20 kg	1.2 mm

- *1 The smaller the clearance, the lower the supply pressure required during connection to provide a stable operation.
- Confirm the connection clearance and operating pressure for the intended application, and verify that the connection is actually secure before use.

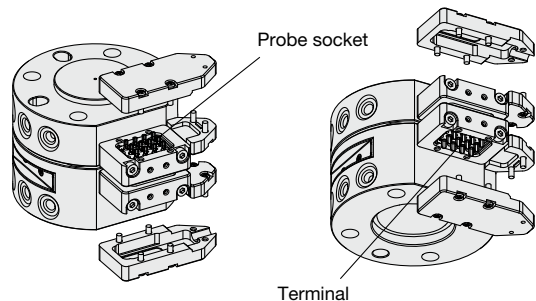
Connector Mounting

When mounting the connector later, or replacing the connector, mount the connector as shown in the diagram below.



Piping/Wiring

1. Use SMC compact One-touch fittings, one-touch mini (M5), or miniature fittings (M5). Thoroughly flush out the connection piping, taking care to prevent any debris or machining chips from entering the device.
2. For the wiring in the soldering specifications, solder connections to the probe socket of the main plate and the terminal of the tool plate. It is recommended that you insulated connected components with heat-shrinkable tube, or something similar.
3. Take care to avoid applying an external force, such as tension or twisting, to the piping or wiring.





RMTA Series Specific Product Precautions 2

Be sure to read this before handling the products. Refer to the back cover for safety instructions. For air gripper and auto switch precautions, refer to the “Handling Precautions for SMC Products” and the “Operation Manual” on the SMC website: <https://www.smc.eu>

Maintenance (Cleaning)

1. Cleaning of main plate and tool plate

If this product is used while wear particles, dirt, foreign matter, or other substance is adhered on the main plate, tool plate positioning pin, steel ball, or seating surface, an operation failure or air leakage may be caused. Perform regular cleaning, including wiping off any dirt and other grime.

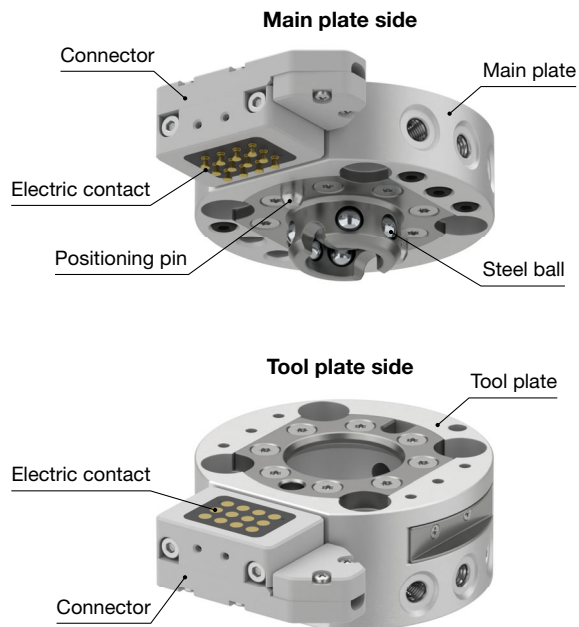
For details, refer to the operation manual.

2. Cleaning of connector

When dirt adheres to the electric contact, conduction between contacts becomes unlikely to occur.

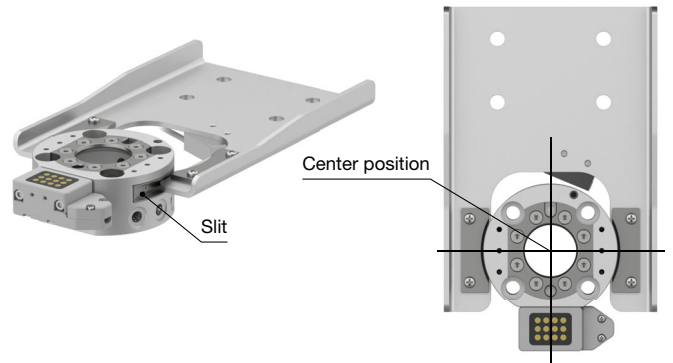
Perform regular cleaning, including wiping off any dirt and other grime.

For details, refer to the operation manual.

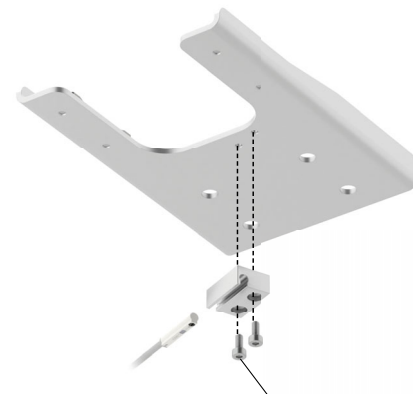


How to Use the Tool Holder

Use the slit on the body of the device to set the main plate to the tool holder. Release the main plate connection at the center of the set position.



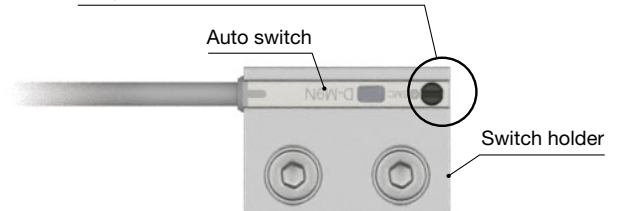
How to Mount the Switch Holder



Guideline for the fixed position of the auto switch

Check whether the auto switch is reacting in your operating environment, making minor adjustments as necessary.

Please align the end of the auto switch body with the end of the switch holder.



Safety Instructions

These safety instructions are intended to prevent hazardous situations and/or equipment damage. These instructions indicate the level of potential hazard with the labels of “Caution,” “Warning” or “Danger.” They are all important notes for safety and must be followed in addition to International Standards (ISO/IEC)¹⁾, and other safety regulations.

Danger:

Danger indicates a hazard with a high level of risk which, if not avoided, will result in death or serious injury.

Warning:

Warning indicates a hazard with a medium level of risk which, if not avoided, could result in death or serious injury.

Caution:

Caution indicates a hazard with a low level of risk which, if not avoided, could result in minor or moderate injury.

- 1) ISO 4414: Pneumatic fluid power – General rules and safety requirements for systems and their components.
- ISO 4413: Hydraulic fluid power – General rules and safety requirements for systems and their components.
- IEC 60204-1: Safety of machinery – Electrical equipment of machines. (Part 1: General requirements)
- ISO 10218-1: Robots and robotic devices - Safety requirements for industrial robots - Part 1: Robots.
- etc.

Warning

1. The compatibility of the product is the responsibility of the person who designs the equipment or decides its specifications.

Since the product specified here is used under various operating conditions, its compatibility with specific equipment must be decided by the person who designs the equipment or decides its specifications based on necessary analysis and test results. The expected performance and safety assurance of the equipment will be the responsibility of the person who has determined its compatibility with the product. This person should also continuously review all specifications of the product referring to its latest catalogue information, with a view to giving due consideration to any possibility of equipment failure when configuring the equipment.

2. Only personnel with appropriate training should operate machinery and equipment.

The product specified here may become unsafe if handled incorrectly. The assembly, operation and maintenance of machines or equipment including our products must be performed by an operator who is appropriately trained and experienced.

3. Do not service or attempt to remove product and machinery/equipment until safety is confirmed.

1. The inspection and maintenance of machinery/equipment should only be performed after measures to prevent falling or runaway of the driven objects have been confirmed.
2. When the product is to be removed, confirm that the safety measures as mentioned above are implemented and the power from any appropriate source is cut, and read and understand the specific product precautions of all relevant products carefully.
3. Before machinery/equipment is restarted, take measures to prevent unexpected operation and malfunction.

4. Our products cannot be used beyond their specifications. Our products are not developed, designed, and manufactured to be used under the following conditions or environments. Use under such conditions or environments is not covered.

1. Conditions and environments outside of the given specifications, or use outdoors or in a place exposed to direct sunlight.
2. Use for nuclear power, railways, aviation, space equipment, ships, vehicles, military application, equipment affecting human life, body, and property, fuel equipment, entertainment equipment, emergency shut-off circuits, press clutches, brake circuits, safety equipment, etc., and use for applications that do not conform to standard specifications such as catalogues and operation manuals.
3. Use for interlock circuits, except for use with double interlock such as installing a mechanical protection function in case of failure. Please periodically inspect the product to confirm that the product is operating properly.

Caution

We develop, design, and manufacture our products to be used for automatic control equipment, and provide them for peaceful use in manufacturing industries. Use in non-manufacturing industries is not covered.

Products we manufacture and sell cannot be used for the purpose of transactions or certification specified in the Measurement Act.

The new Measurement Act prohibits use of any unit other than SI units in Japan.

Limited warranty and Disclaimer/Compliance Requirements

The product used is subject to the following “Limited warranty and Disclaimer” and “Compliance Requirements”. Read and accept them before using the product.

Limited warranty and Disclaimer

1. The warranty period of the product is 1 year in service or 1.5 years after the product is delivered, whichever is first.²⁾ Also, the product may have specified durability, running distance or replacement parts. Please consult your nearest sales branch.
2. For any failure or damage reported within the warranty period which is clearly our responsibility, a replacement product or necessary parts will be provided. This limited warranty applies only to our product independently, and not to any other damage incurred due to the failure of the product.
3. Prior to using SMC products, please read and understand the warranty terms and disclaimers noted in the specified catalogue for the particular products.
- 2) Vacuum pads are excluded from this 1 year warranty. A vacuum pad is a consumable part, so it is warranted for a year after it is delivered. Also, even within the warranty period, the wear of a product due to the use of the vacuum pad or failure due to the deterioration of rubber material are not covered by the limited warranty.

Compliance Requirements

1. The use of SMC products with production equipment for the manufacture of weapons of mass destruction (WMD) or any other weapon is strictly prohibited.
2. The exports of SMC products or technology from one country to another are governed by the relevant security laws and regulations of the countries involved in the transaction. Prior to the shipment of a SMC product to another country, assure that all local rules governing that export are known and followed.

Safety Instructions

Be sure to read “Handling Precautions for SMC Products” (M-E03-3) before using.

SMC Corporation (Europe)

Austria	+43 (0)2262622800	www.smc.at	office.at@smc.com
Belgium	+32 (0)33551464	www.smc.be	info@smc.be
Bulgaria	+359 (0)2807670	www.smc.bg	sales.bg@smc.com
Croatia	+385 (0)13707288	www.smc.hr	sales.hr@smc.com
Czech Republic	+420 541424611	www.smc.cz	office.at@smc.com
Denmark	+45 70252900	www.smc.dk.com	smc.dk@smc.com
Estonia	+372 651 0370	www.smcee.ee	info.ee@smc.com
Finland	+358 207513513	www.smc.fi	smc.fi@smc.com
France	+33 (0)164761000	www.smc-france.fr	supportclient.fr@smc.com
Germany	+49 (0)61034020	www.smc.de	info.de@smc.com
Greece	+30 210 2717265	www.smchellas.gr	office.hu@smc.com
Hungary	+36 23513000	www.smc.hu	sales@smchellas.gr
Ireland	+353 (0)14039000	www.smcautomation.ie	office.hu@smc.com
Italy	+39 03990691	www.smcitalia.it	technical.ie@smc.com
Latvia	+371 67817700	www.smc.lv	mailbox.it@smc.com
			info.lv@smc.com

Lithuania	+370 5 2308118	www.smclt.lt	info.lt@smc.com
Netherlands	+31 (0)205318888	www.smc.nl	info@smc.nl
Norway	+47 67129020	www.smc-norge.no	post.no@smc.com
Poland	+48 22 344 40 00	www.smc.pl	office.pl@smc.com
Portugal	+351 214724500	www.smc.eu	apoiocliente.pt@smc.com
Romania	+40 213205111	www.smcromania.ro	office.ro@smc.com
Russia	+7 (812)3036600	www.smc.eu	sales@smcru.com
Slovakia	+421 (0)413213212	www.smc.sk	sales.sk@smc.com
Slovenia	+386 (0)73885412	www.smc.si	office.si@smc.com
Spain	+34 945184100	www.smc.eu	post.es@smc.com
Sweden	+46 (0)86031240	www.smc.nu	order.se@smc.com
Switzerland	+41 (0)523963131	www.smc.ch	helpcenter.ch@smc.com
Turkey	+90 212 489 0 440	www.smcturkey.com.tr	satis@smcturkey.com.tr
UK	+44 (0)845 121 5122	www.smc.uk	sales.gb@smc.com
South Africa	+27 10 900 1233	www.smcza.co.za	Sales.za@smc.com