

Nord Basic Gate 510

The Nord Basic Gate merges with the Nord Quick Mover installed on a MiR robot. It can receive or hold an object, connecting the mobile robot with production lines and storage systems.

The Nord Basic Gate is designed as a basic standard module that can serve as e.g. a flexible pick-up point or simply be adjusted to specialized work processes. Due to the optimized distance between the arms, the module delivers great flexibility in terms of load sizes – from small to large items.

MiR | **Go** Approved

Have been tested and validated by Mobile Industrial Robots



Specifications

MiR compatibility	MiR250	
Variations	3 finger	5 finger
Max. payload capacity	130 kg 286 lbs	220 kg 485 lbs

Specifications may vary based on local conditions and application

Product Description

Designated use	To receive and hold, or hand off payloads from the Quick Mover
Seamless Payload Transfer	Interface perfectly with the Nord Quick Mover
5 finger	Full-support configuration. Provides maximum stability and surface area for varied load sizes
3 finger	Simplified configuration. A compact design for standard tasks and optimized space efficiency
Mounting	Floor mounting
Compact, Robust and Reliable Design	Features a small footprint, simple and fast assembly, and a robust construction for continuous operation
Reliable operation with minimal maintenance	Designed for 24/7 operation with minimal maintenance

Compatibility



Nord Quick Mover 220-510



Plug-and-Play Design



Maintenance-Free Engineering



Rapid Deployment Ready



Optimized for Maximum ROI

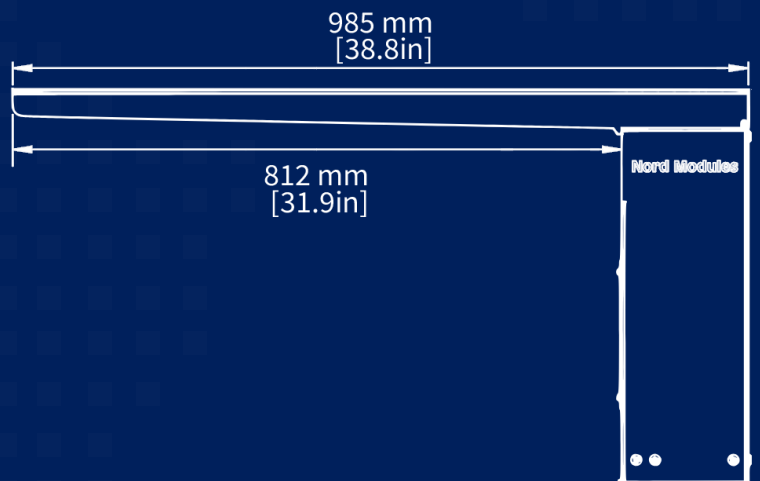
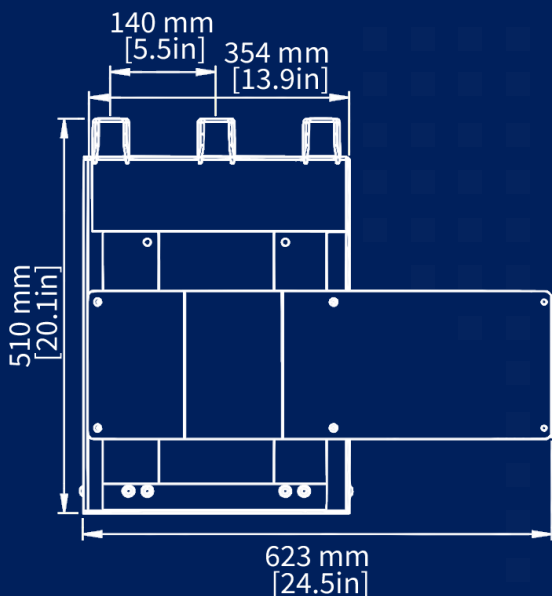
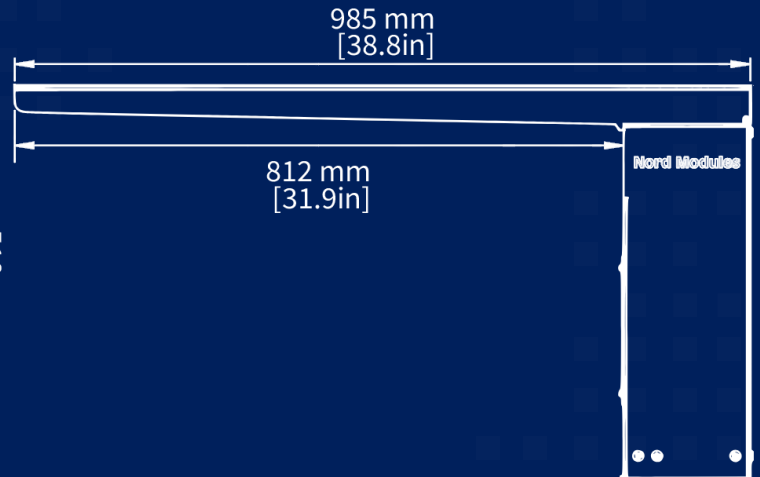
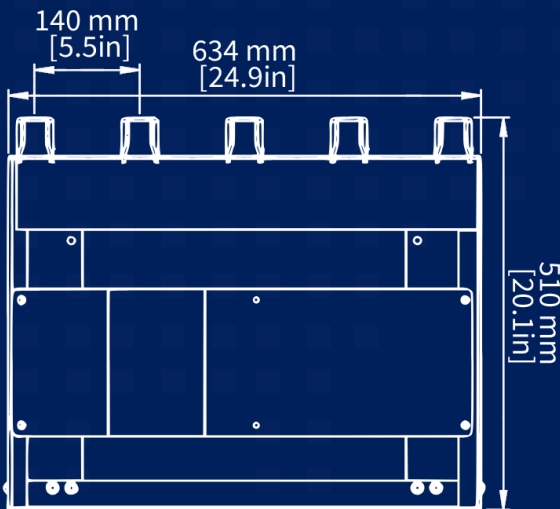
Dimensions

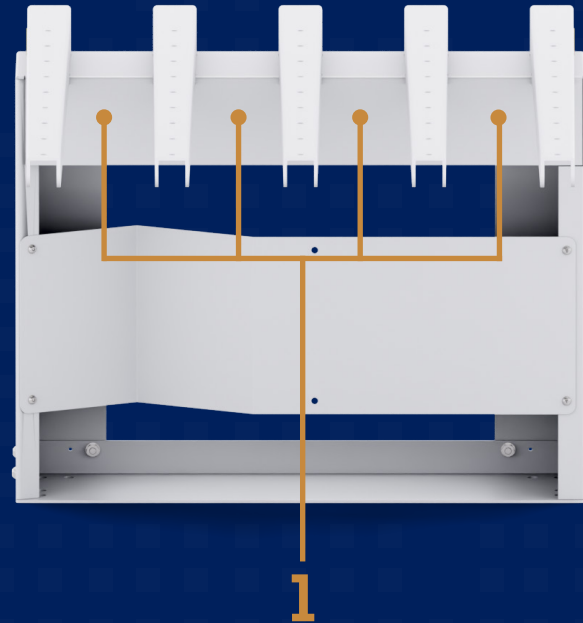
Height 510 mm | 20.1 in

Length 985 mm | 38.8 in

Center distance between arms 140 mm | 5.5 in

	5 finger	3 finger
Width	634 mm 24.9 in	console - 354 mm 13.9 in total - 623 mm 24.5 in





Optional Add-ons

1 | Payload Presence on Gate

Detect a payload placed on a gate or Loading Station

