

Nord Lift EU

Optimize your internal logistics by automating the internal transportation of pallets with the Nord Lift EU. The top module autonomously picks up and delivers pallets in the Pallet Rack.

Stable handling and transport of EU size pallets. It enables the MiR AMRs to lift pallets autonomously from the Pallet Rack and lowers the pallet for stable transportation of payloads up to 1266 kg.

MiR | Go Approved

Have been tested and validated by Mobile Industrial Robots



Specifications

MiR compatibility	MiR600 — MiR1350	Product code	PL-EU-MIR
Weight	84 kg 185.2 lbs	Max. lifting capacity	1 266 kg 2 791.1 lbs
Lifting speed	up to 17 mm/s 0.7 in/s	Stroke length	60 mm 2.4 in

Specifications may vary based on local conditions and application

Product Description

Designated use	For autonomous pickup and unload of EU-sized pallets
Capable of handling uneven payloads	Keeps platform level - regardless of load distribution
Adjustable stroke length	Supports variable lifting heights up to 60 mm 2.4 in
Overload protection	Prevents damage and ensures safe operation
Auto lowering sequence	For easy recovery (overload and no payload detected)
Data collection	Error codes and data transfer to AMR
Reliable operation with minimal maintenance	Service intervall for every 200.000 cycles
Expected lifespan	Minimum 600.000 lifts at max. payload

Compatibility



Nord Basic Rack



MiR Pallet Rack



Plug-and-Play Design



Maintenance-Free Engineering



Rapid Deployment Ready



Optimized for Maximum ROI

Dimensions

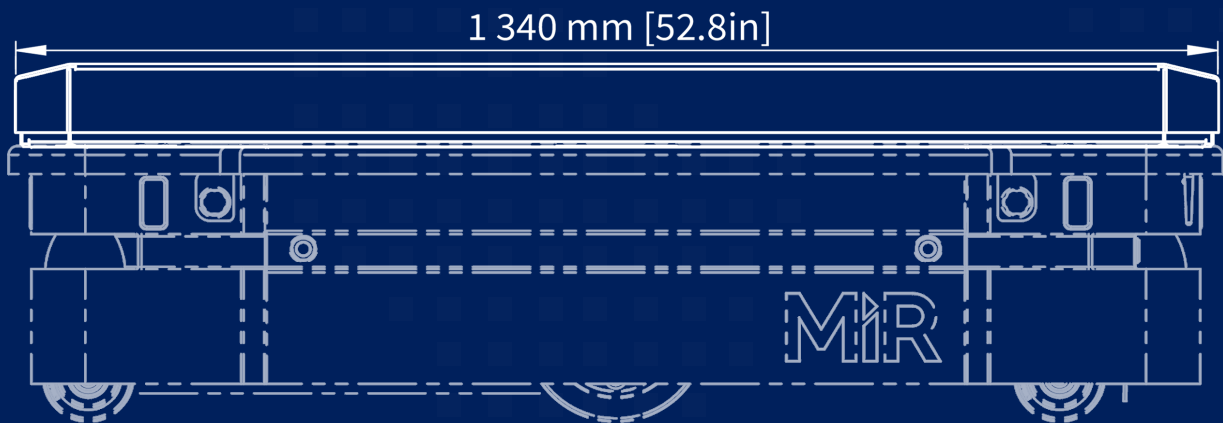
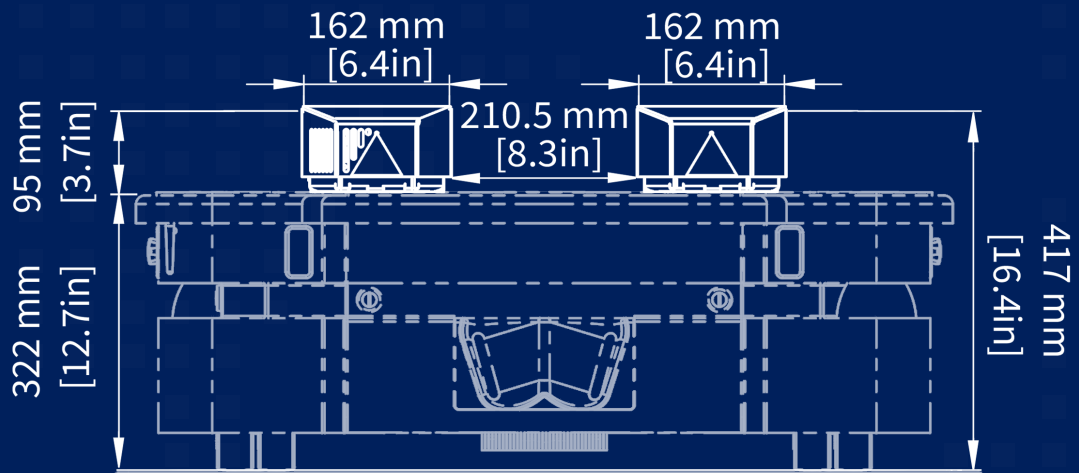
Stroke length 60 mm | 2.4 in

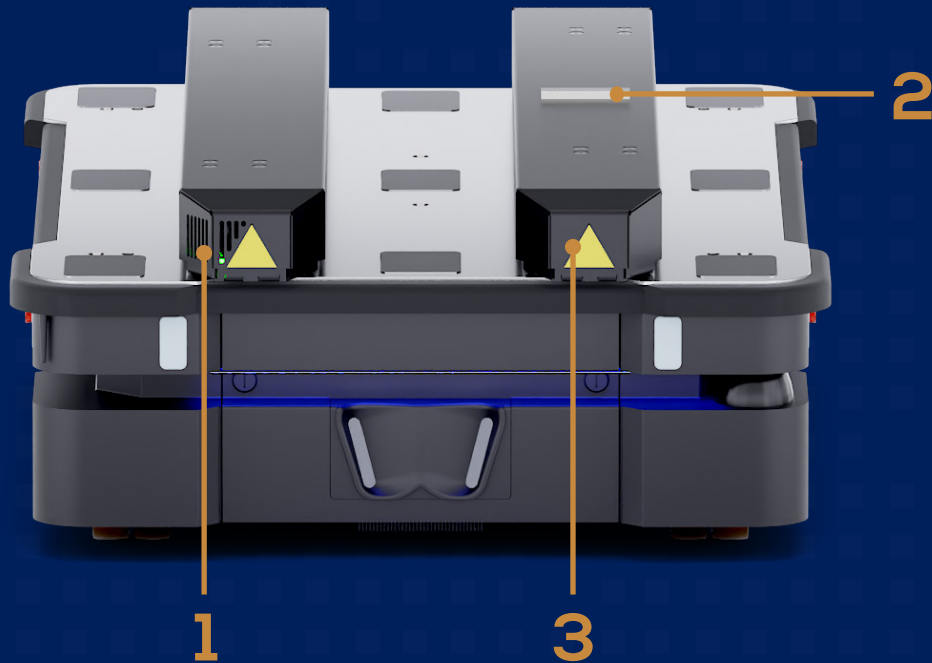
Length 1 340 mm | 52.8 in

Width 2 x 162 mm | 2 x 6.4 in

Height 95 mm | 3.7 in

Dimensions without AMR





Standard

1 | Stack Light Light indicates the current status of the Pallet Lift

2 | Payload Detection Sensor Detects whether there is an object on the Pallet Lift

Optional Add-ons

3 | Integrated Blue Light Kit Lights up a blue spot on the floor in front of the AMR for extra safety
