

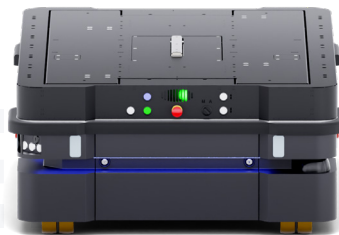
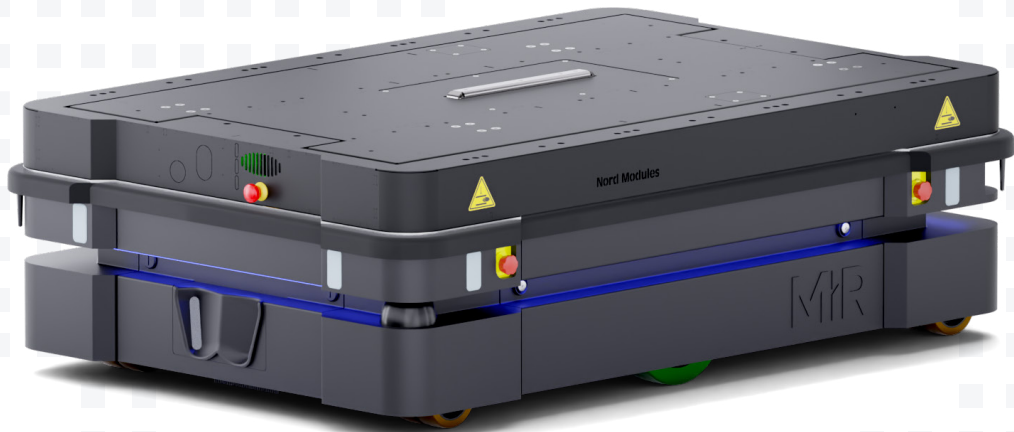
# Nord Lift Platform

Optimize your internal logistics by automating the internal transportation of pallets with the Nord Lift Platform. Nord Modules Lift Platform autonomously picks up and delivers pallets in the Pallet Rack.

Stable handling and transport of pallets up to 40x48". It enables the MiR AMRs to lift pallets autonomously from the Pallet Rack and lowers the pallet for stable transportation of payloads up to 1238 kg.

**MiR** | **Go** Approved

*Have been tested and validated by Mobile Industrial Robots*



## Specifications

|                          |                          |                              |                        |
|--------------------------|--------------------------|------------------------------|------------------------|
| <b>MiR compatibility</b> | MiR600 — MiR1350         | <b>Product code</b>          | PL-US-MIR-01           |
| <b>Weight</b>            | 112 kg   246.9 lbs       | <b>Max. lifting capacity</b> | 1 238 kg   2 729.3 lbs |
| <b>Lifting speed</b>     | up to 17 mm/s   0.7 in/s | <b>Stroke length</b>         | 60 mm   2.4 in         |

*Specifications may vary based on local conditions and application*

# Product Description

|  |  |
|--|--|
| <b>Designated use</b>                              | For autonomous pickup and unload of various lifting applications |
| <b>Capable of handling uneven payloads</b>         | Keeps platform level - regardless of load distribution           |
| <b>Adjustable stroke length</b>                    | Supports variable lifting heights up to 60 mm   2.4 in           |
| <b>Overload protection</b>                         | Prevents damage and ensures safe operation                       |
| <b>Auto lowering sequence</b>                      | For easy recovery (overload and no payload detected)             |
| <b>Data collection</b>                             | Error codes and data transfer to AMR                             |
| <b>Tooling mount locations</b>                     | Threaded holes in the platform and frame                         |
| <b>Reliable operation with minimal maintenance</b> | Service intervall for every 200.000 cycles                       |
| <b>Expected lifespan</b>                           | Minimum 600.000 lifts at max. payload                            |

# Compatibility



Nord Basic Rack



MiR Pallet Rack



Plug-and-Play Design



Maintenance-Free Engineering



Rapid Deployment Ready



Optimized for Maximum ROI

# Dimensions

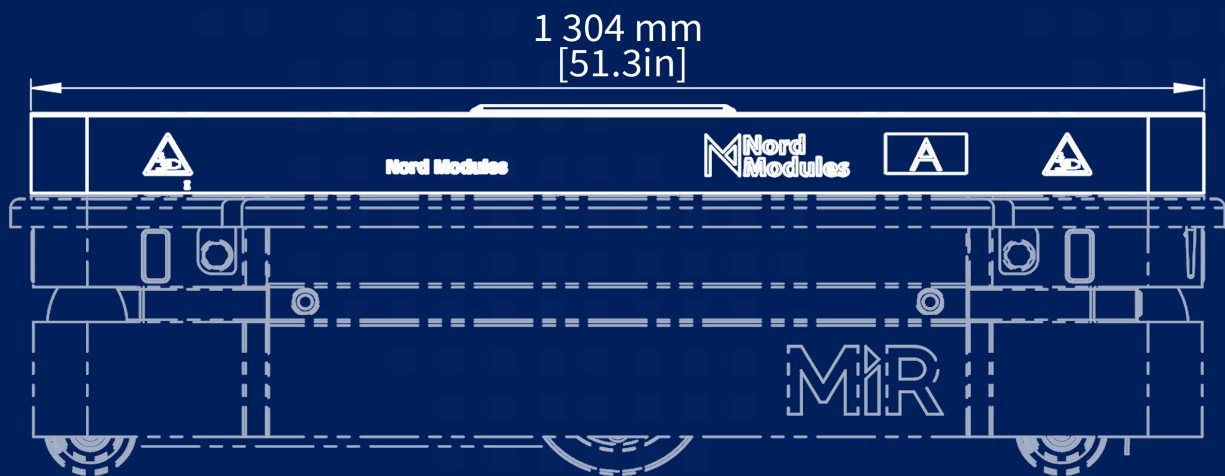
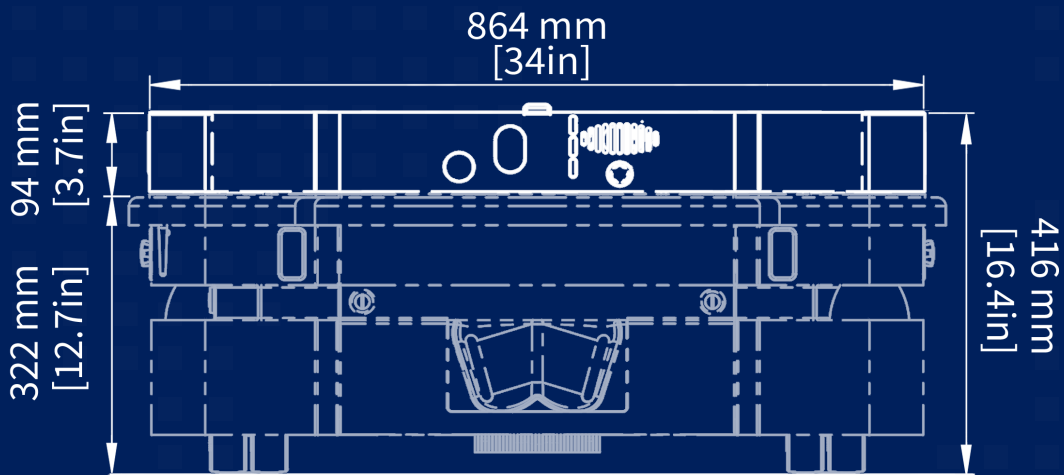
Stroke length 60 mm | 2.4 in

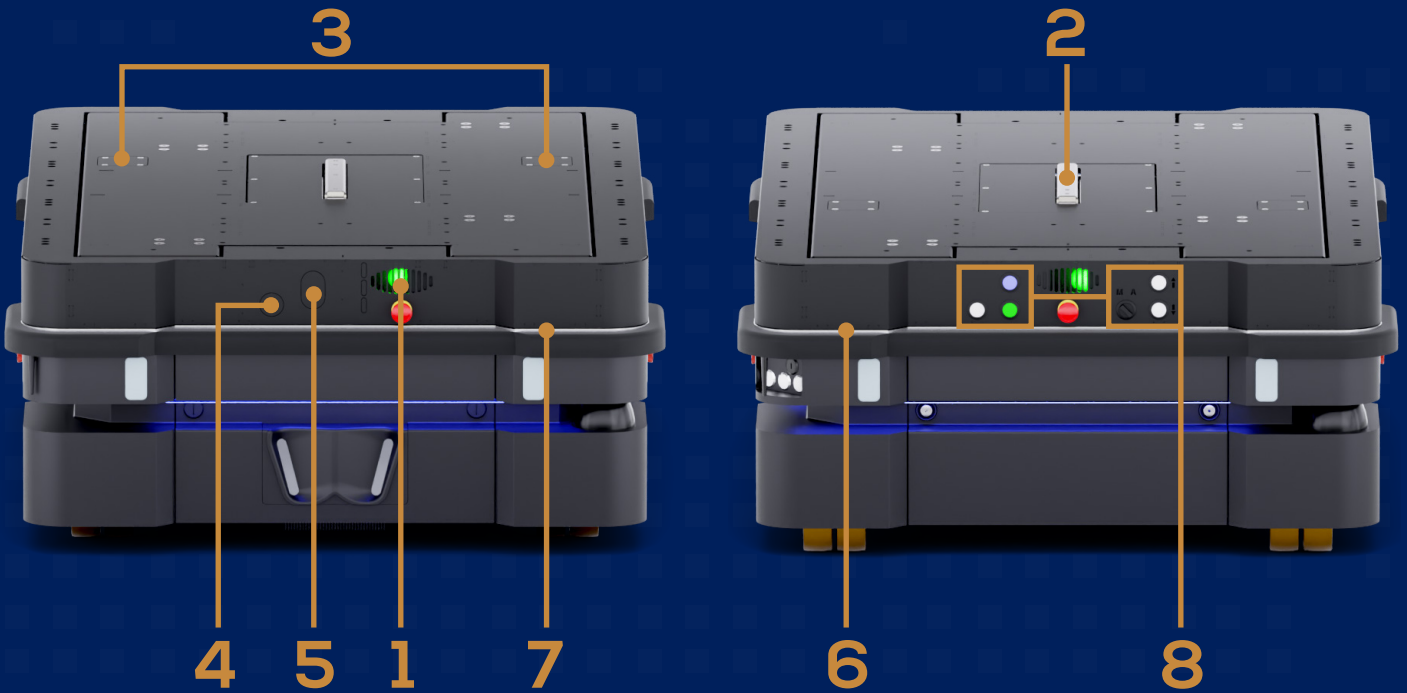
Length 1 304 mm | 51.34 in

Width 864 mm | 34.02 in

Height 94 mm | 3.7 in

*Dimensions without AMR*





## Standard

- |                              |   |
|------------------------------|---|
| 1   Stack Light              | Light indicates the current status of the Pallet Lift |
| 2   Payload Detection Sensor | Detects whether there is an object on the Pallet Lift |
| 3   Cart Interface           | Allows carts to be moved easily                       |
| 8   Manual override buttons  | Manual movement                                       |

## Optional Add-ons

- |                                |   |
|--------------------------------|---|
| 4   Integrated Blue Light Kit  | Lights up a blue spot on the floor in front of the AMR for extra safety |
| 5   Integrated Code Reader Kit | Scanning QR-Code/Barcode placed on any type of goods                    |
| 6   Payload Measurement Kit    | Measures the weight of the payload                                      |
| 7   Spacer Kit                 | Increases the height ( from 417mm up to 817mm to top module)            |